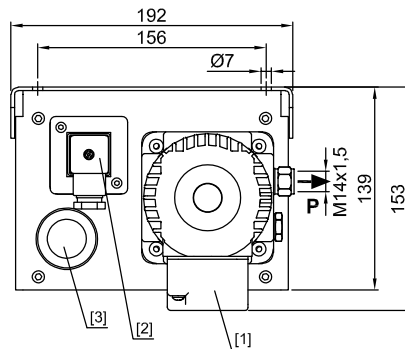
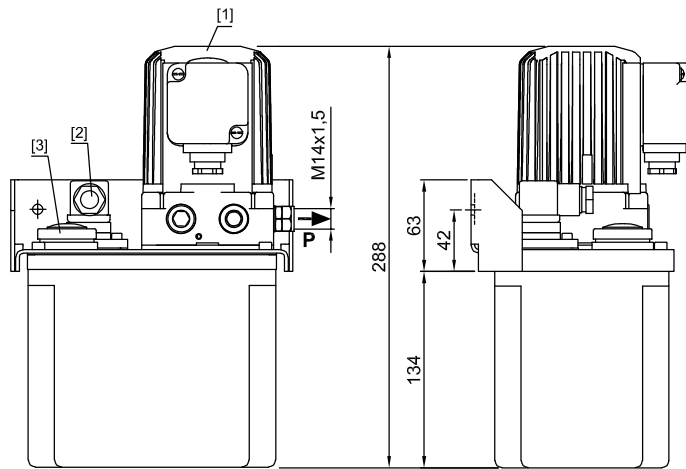


Lubrication group for FLUID GREASE NLGI 00-000
 Single line system

GE51/A
 2L plastic



- [1] Electric motor
- [2] Level switch
- [3] Filling cap

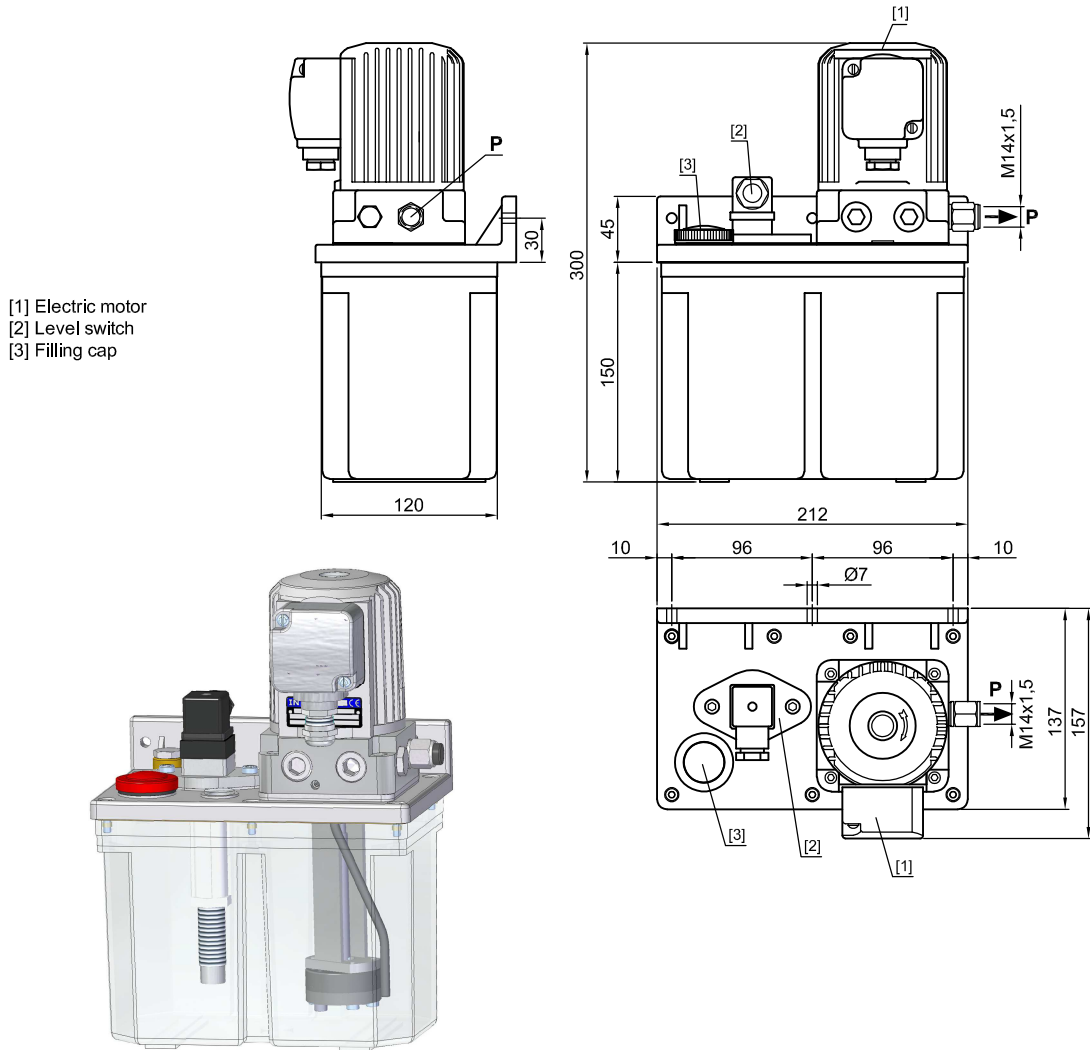


GE51/ (X) - 1 - (X) (X) (X)

Tank capacity	Flow l/min	Monitoring system		Voltage
(A) 2 litres	(1) 0,1	(0) Without level	(5) Minimum level	(0) 24Vdc
				(3) 230/400V 50/60Hz

Lubrication group for FLUID GREASE NLGI 00-000
 Single line system

GE51/B
 3L plastic
 142.270.000



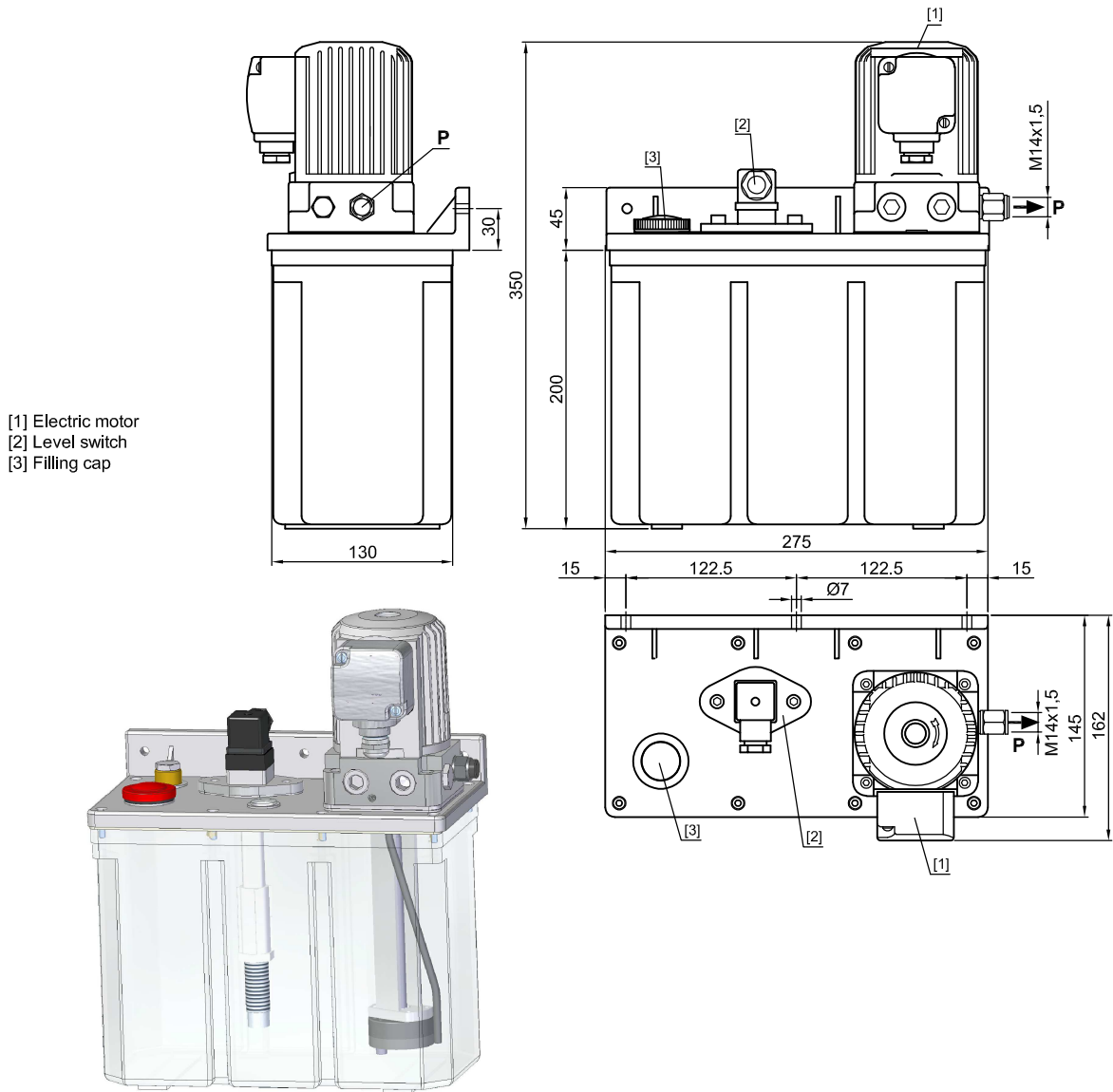
- [1] Electric motor
- [2] Level switch
- [3] Filling cap

GE51 / (X) - 1 - (X) (X) (X)

Tank capacity	Flow l/min	Monitoring system		Voltage
(B) 3 litres	(2) 0,2	(0) Without level		(0) 24Vdc
		(5) Minimum level		(3) 230/400V 50/60Hz

Lubrication group for FLUID GREASE NLGI 00-000
 Single line system

GE51/C
 6L plastic
 142.275.000



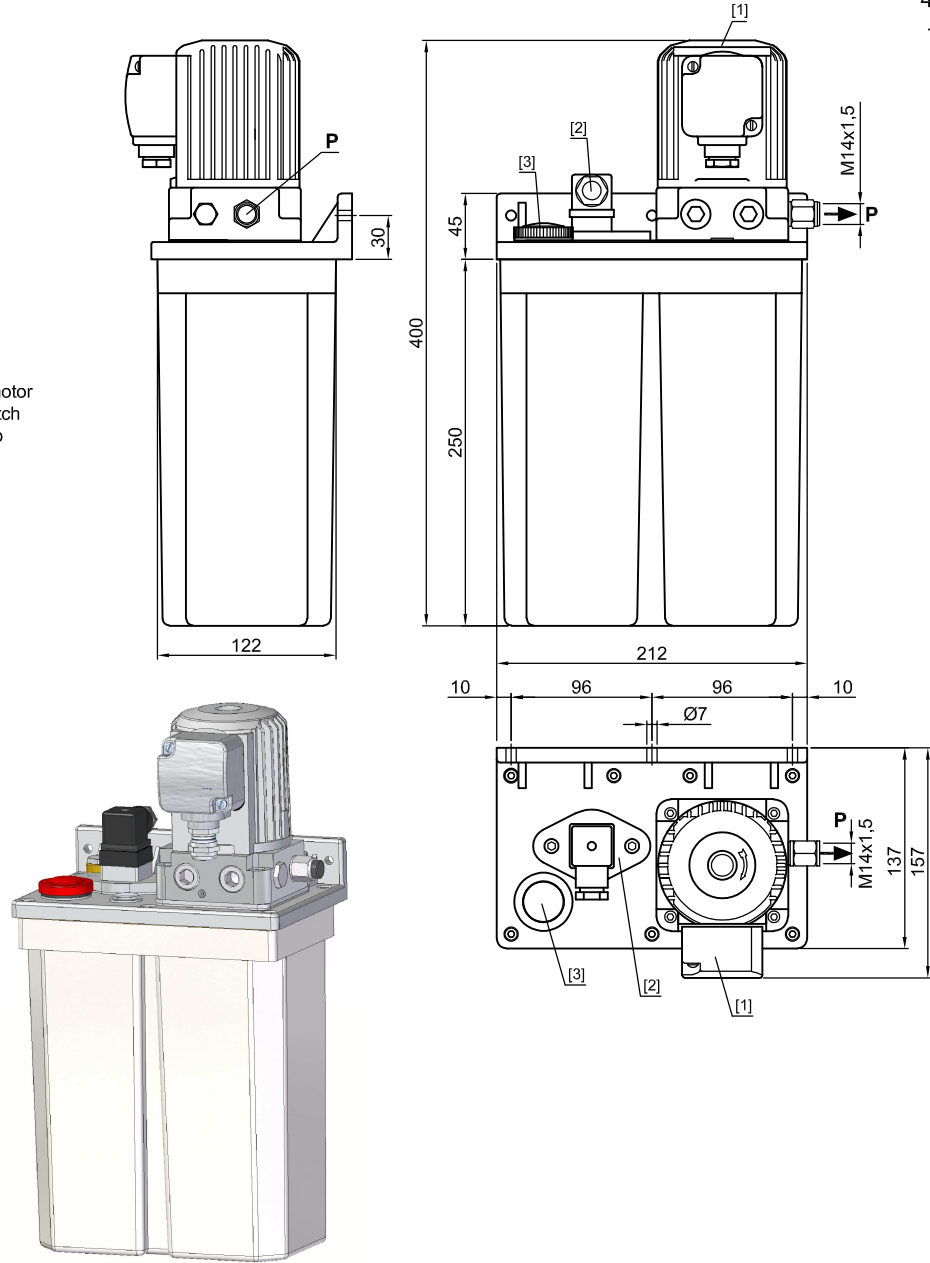
GE51 / (X) - 1 - (X) (X) (X)

Tank capacity	Flow l/min	Monitoring system		Voltage
(C) 6 litres	(2) 0,2	(0) Without level	(5) Minimum level	(0) 24Vdc
				(3) 230/400V 50/60Hz

Lubrication group for FLUID GREASE NLGI 00-000
 Single line system

GE51/H
 4,5L plastic
 142.280.000

- [1] Electric motor
- [2] Level switch
- [3] Filling cap



GE51 / (X) - 1 - (X) (X) (X)

Tank capacity	Flow l/min	Monitoring system		Voltage
(H) 4,5 litres	(2) 0,2	(0) Without level	(5) Minimum level	(0) 24Vdc
				(3) 230/400V 50/60Hz