

Fig.1 - **KD01/A** - Indicator without memory

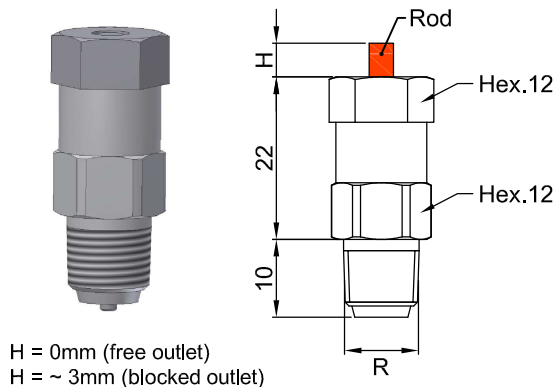


Fig.2 - **KD01/B** - Indicator with memory

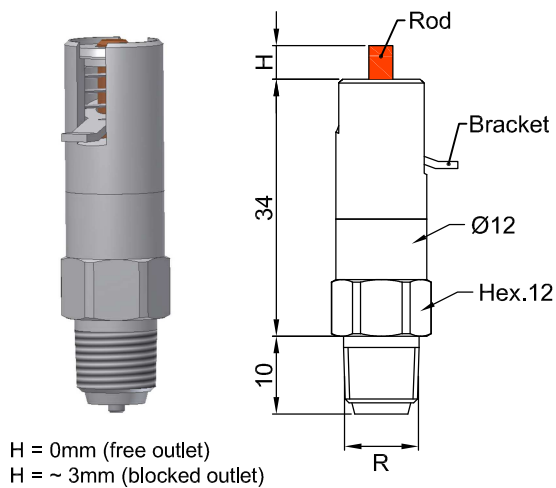
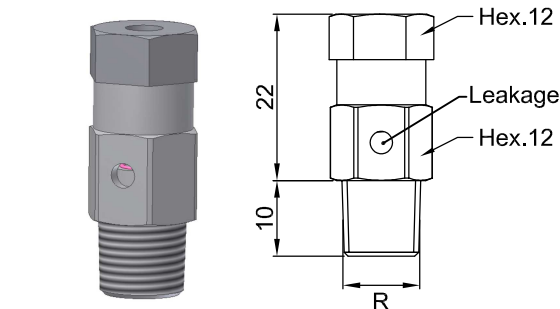
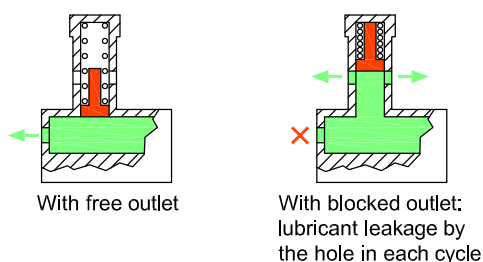


Fig.3 - **KD01/C** - Indicator with outlet



Operation of the indicator with outlet



KD01

342.000.000

Blocking indicators for mounting on the distributor

Application

For the visual monitoring of the over-pressure at the secondary lines

Types of construction:

-Indicator without memory KD01/A (Fig.1)

In the case of a blocking of the distributor, the created overpressure expels a pin to the exterior, visually indicating the blockage. Once the distributor is unblocked, the pin returns to its original position.

-Indicator with memory KD01/B (Fig.2)

In the case of a blocking of the distributor, the created overpressure expels a pin to the exterior, visually indicating the blockage. A bracket holds the pin on the exterior; therefore, the pin remains indicating that the outlet has been blocked even if the distributor has been unblocked.

-Indicator with outlet KD01/C (Fig.3)

If an outlet blocks, the overpressure is discharged to the exterior allowing the system not to stop while the remaining lube points continue lubricating

In installation where, in case of a blockage, the lubrication system needs to stop, hermetic indicators should be used (figures 1 and 2). Indicators with outlets needs to be used in installation where despite the blockage, the system needs to keep running. They can be mounted both in master and secondary distributors.

KD01 / (X) - (X) / (X)		
Construction types	R thread	Blocking pressure
(A) Without memory	(1) 1/8 BSP	(1) 30 bar
(B) With memory	(2) M10x1	(2) 50 bar
(C) With leakage	(3) 1/8 NPSF	(3) 75 bar
		(4) 100 bar
		(5) 150 bar
		(6) 200 bar
		(7) 250 bar

VP10 modular progressive distributor with over-pressure indicators by leakage mounted on the doser elements

