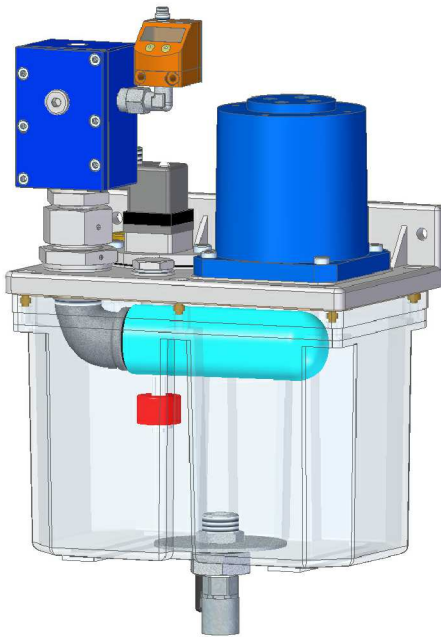
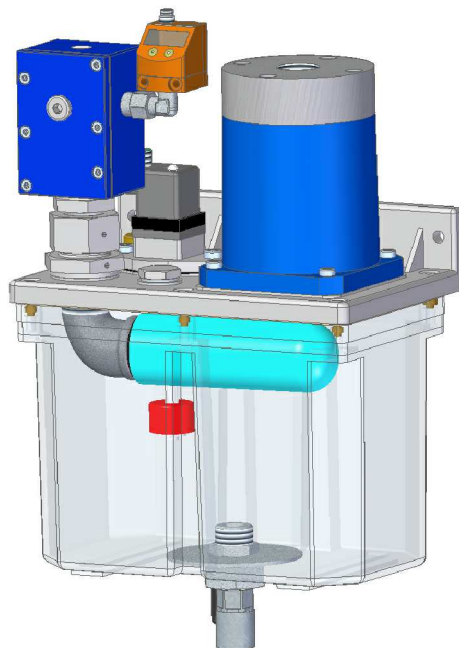


## Air and Oil separator with aspiration unit

**PY01/A**  
402.600.000



**PY01/A-1/1 Direct air outlet**



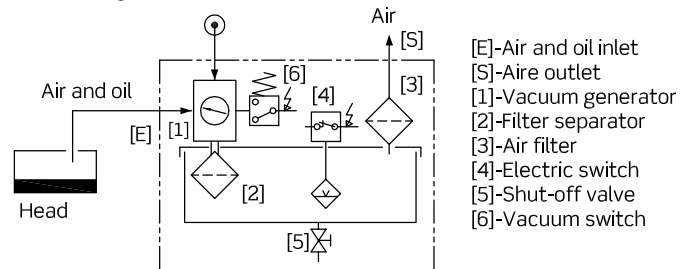
**PY01/A-1/2 Remote air outlet**

### Application

Aspiration of oil accumulated in mechanisms within installations using minimum quantity lubrication (MQL).

### Operation

The air and oil aspirated by the vacuum generator [1] comes to the tank by means of the inlet [E] and, subsequently, the air and the oil are separated through the filter [2]: the oil remains on the bottom of the tank and the air goes out through the air filter [3] from the point [S]. The maximum oil level is detected by the electric level switch [4], and there is a shut-off valve [5] to empty the tank. The percentage of the aspiration, depends on how easily the oil can generate aerosol.



- [E]-Air and oil inlet
- [S]-Air outlet
- [1]-Vacuum generator
- [2]-Filter separator
- [3]-Air filter
- [4]-Electric switch
- [5]-Shut-off valve
- [6]-Vacuum switch

### Technical data

Capacity and materials of the tank.....3 litres en plastic SAN / Nylon  
All reservoirs are suitable for its use with mineral and synthetic oils.  
The SAN material is transparent, and the nylon is traslucent.  
With oils with polyglycol base we recommend the use of NYLON material.

Air filtration degree..... 0,01 microns  
Maximum working temperature..... +50°C  
Air supply tube Ø..... Ø8x1 mm  
Oil aspiration tube Ø..... Ø6x1 mm

### Vacuum generator

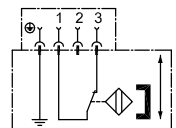
Working pressure..... 4 5 6 bar  
Aspiration degree (vacuum)..... 60 72 85 -KPa  
..... 400 270 150 mbar  
Air consumption..... 2,4 2,8 3,3 NL/s  
Air aspiration capacity..... 7,2 7,5 7,8 m3/h

### Vacuum switch

Type.....Digital, programmable with display (IFM)  
Regulation range ..... -1 ÷ +1 bar  
Voltage..... 18 ÷ 32VDC  
Connection..... Connector M8x1 4P

### Level switch

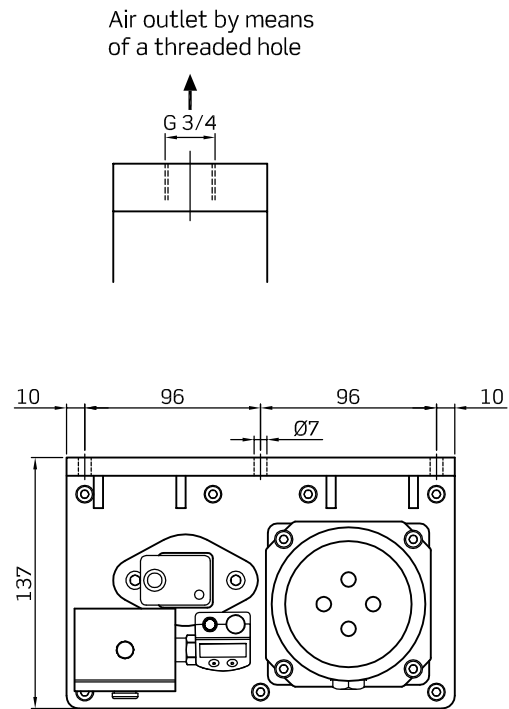
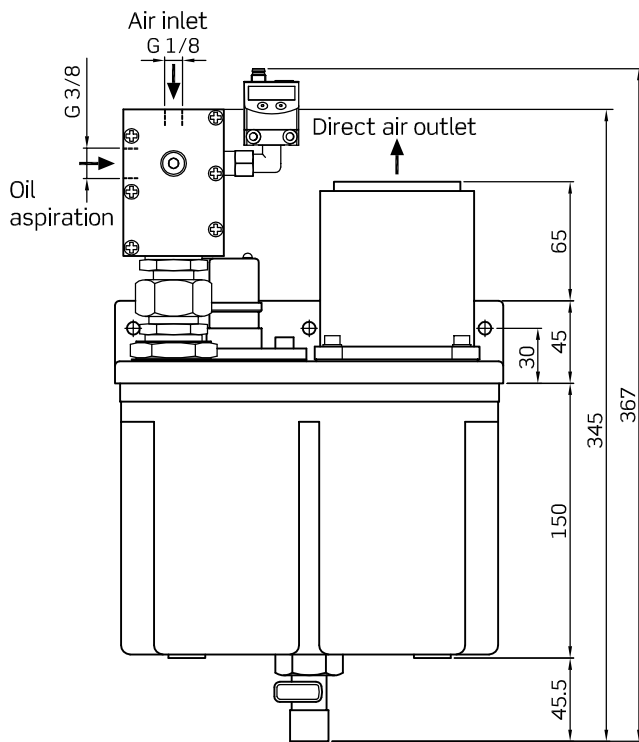
Maximum switching voltage..... 230 Vuc  
Maximum switching consumption..... 0,5 A  
Power breakdown..... 30 W  
Connection..... Connector M12 4P



Reference:

**PY01 / A-1 / X - X X - X - X**

Type	X	Tank capacity	X	Tank material	X	Level switch	Connector	X	Vacuum switch
Air outlet directly outside	1	3 litres	B	5 Copoliester	00	Without	Without	06	Digital with display
Remote air outlet by means of G 3/4	2			6 Nylon	85	With	M12x1		



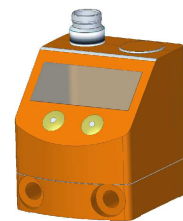
Air filter unit  
 -with direct outlet, code 402670000  
 -remote outlet (with cap), code 402675000



Filter separator  
 with bushing  
 code 928807000



Level switch  
 code KF20/C-20/80



Digital and programmable  
 vacuum switch with display,  
 code 928950010