

Gear pump units

Mainly intended for circulation and cooling lubrication systems, these gear pumps can work with a wide range of viscosities.

These pumps are equipped with a discharge by-pass valve to regulate the output pressure.

The standard execution allows only the turn in one direction, being the suction on the side where the screw to operate the discharge valve is located. Consult us if reverse rotation is required.

With standard electric motor at 1500 rpm can work with fluids up to 350 cst (always taking into account the changes in viscosity due to temperature)

For higher viscosities, it is advisable to adjust the rotation speed using electric motors from 750 to 1000 rpm.

The maximum recommended temperature of the fluid to operate is 150° C

The maximum working pressure is limited by the discharge valve, which is related to the power of the coupled electric motor. This relief valve provides safety to the motor in case of overpressure.

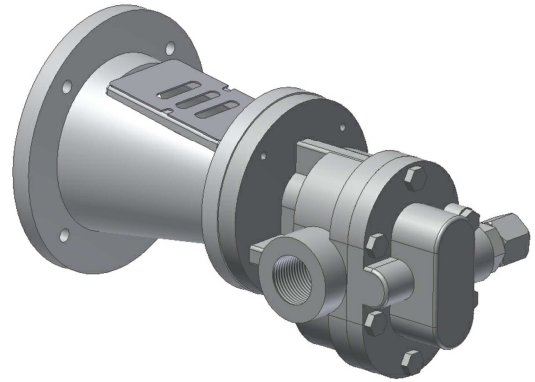
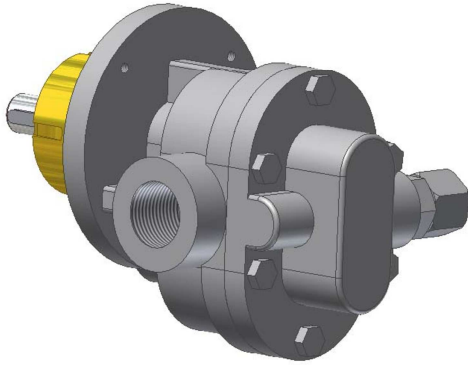
If pressure from 15 to 20 bar is desired, a special valveless assembly can be used

Size	Flow litres/minute	Suction fitting	Pressure fitting	Motor	Max. pressure	X
0	10	3/4 BSP	3/4 BSP	0,37kW	7 bar	00
1	20	1 BSP	1 BSP	0,75kW	7 bar	10
2	48	1 BSP	1 BSP	1,5kW	7 bar	20
3	90	1 1/4 BSP	1 1/4 BSP	2,2kW	6 bar	30
4	130	1 1/2 BSP	1 1/2 BSP	3kW	6 bar	40
5	165	2 BSP	2 BSP	4kW	2 bar	50
6	410	2 1/2 BSP	2 1/2 BSP	7,5kW	2 bar	60
00/10	1,5	1/4 BSP	1/4 BSP	0,18kW	5 bar	83
00/11	2,5	1/4 BSP	1/4 BSP	0,18kW	5 bar	82
00/12	5	3/8 BSP	3/8 BSP	0,18kW	7 bar	81
00/16	7	3/8 BSP	3/8 BSP	0,25kW	5 bar	80

291		X	X	X	X	X	X
-----	--	---	---	---	---	---	---

X	rpm
0	1500
X	Hz
0	50/60Hz
X	Voltage
0	230/400V
X	Motor brand
0	Standard

You may indicate preference for a particular brand



290 X X X X X 0

Size	Flow litres/minute	Suction fitting	Pressure fitting	Max. pressure	X
0	10	3/4 BSP	3/4 BSP	7 bar	00
1	20	1 BSP	1 BSP	7 bar	10
2	48	1 BSP	1 BSP	7 bar	20
3	90	1 1/4 BSP	1 1/4 BSP	6 bar	30
4	130	1 1/2 BSP	1 1/2 BSP	6 bar	40
5	165	2 BSP	2 BSP	2 bar	50
6	410	2 1/2 BSP	2 1/2 BSP	2 bar	60
00/10	1,5	1/4 BSP	1/4 BSP	5 bar	83
00/11	2,5	1/4 BSP	1/4 BSP	5 bar	82
00/12	5	3/8 BSP	3/8 BSP	7 bar	81
00/16	7	3/8 BSP	3/8 BSP	5 bar	80

X	Coupling
0	Without
5	With

X	Flange
0	Without
5	With

X	Rotation direction
0	Clockwise
1	Anticlockwise