

## Threaded oil distributors

VU27/0

### General aspects

Relatively small flow rates can be monitored at each lubrication point with threaded restrictors.

They are made in two sizes to be connected to the following tubes:

- Ø4 tube
- Ø6 tube

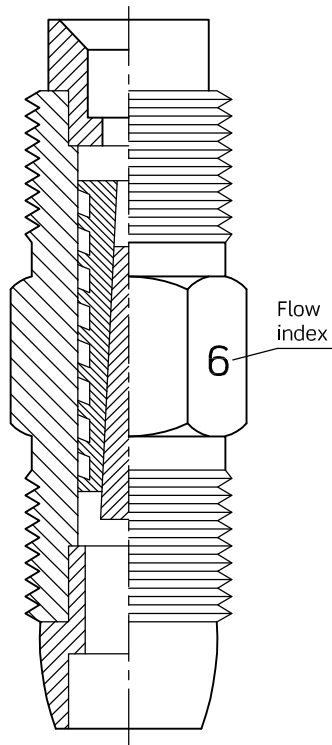
Each size has three varieties:

- Strip mounting
- Bracket mounting
- Tube - tube mounting

They are supplied with their corresponding wedges and nuts.

### Application

They are used in circulation lubrication systems to distribute the oil flow to different points: shock absorbers, hydraulics, stabilisers, etc...



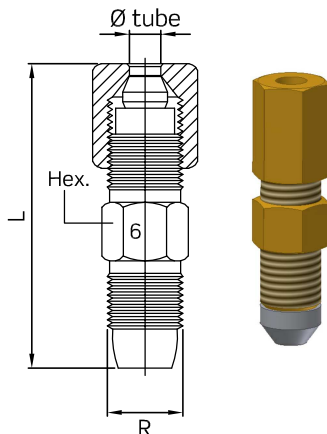
270		X	XX	XX	X		
Ø tube	X	Mounting type	XX	Flow index	XX	Wedge type	X
Ø4	0	Manifold	00	6 drops	00	Nylon tube	0
Ø6	1	Bracket	10	12 drops	01	Rigid tube	5
				20 drops	02		
				40 drops	04		
		Tube-tube	20	60 drops	06		
				90 drops	09		
				120 drops	12		
170 drops	17						
220 drops	22						

### Models and dimensions

#### VU27/00

Manifold mounting

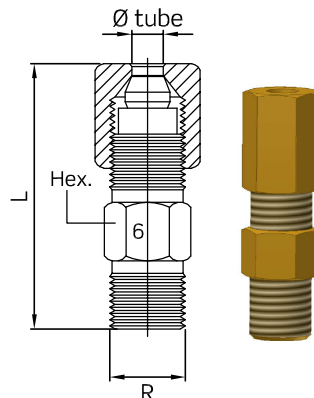
Ø tube	R	L	Hex
Ø4	M8x1	37	9
Ø6	M10x1	40	11



#### VU27/10

Bracket mounting

Ø tube	R	L	Hex
Ø4	M8x1	32	9
Ø6	M10x1	36	11



#### VU27/20

Tube-tube mounting

Ø tube	R	L	Hex
Ø4	M8x1	40	9
Ø6	M10x1	44	11

