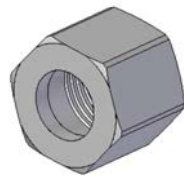
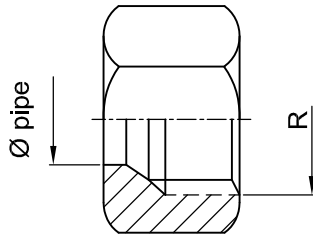


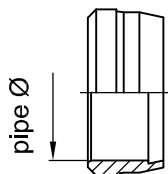
Union nut DIN 3861



Pipe Ø	Reference	R	NP
4	950 100 001	M8x1	NP100 / LL
6	950 100 002	M10x1	NP100 / LL
8	950 100 003	M12x1	NP100 / LL
10	950 100 004	M14x1	NP100 / LL
12	950 100 025	M16x1	NP100 / LL
6	950 100 005	M12x1,5	NP315 / L
8	950 100 006	M14x1,5	NP315 / L
10	950 100 007	M16x1,5	NP315 / L
12	950 100 008	M18x1,5	NP315 / L
15	950 100 009	M22x1,5	NP315 / L
18	950 100 010	M26x1,5	NP315 / L
22	950 100 011	M30x2	NP160 / L
28	950 100 012	M36x2	NP160 / L
35	950 100 013	M45x2	NP160 / L
42	950 100 014	M52x2	NP160 / L
6	950 100 015	M14x1,5	NP630 / S
8	950 100 016	M16x1,5	NP630 / S
10	950 100 017	M18x1,5	NP630 / S
12	950 100 018	M20x1,5	NP630 / S
14	950 100 019	M22x1,5	NP630 / S
16	950 100 020	M24x1,5	NP400 / S
20	950 100 021	M30x2	NP400 / S
25	950 100 022	M36x2	NP400 / S
30	950 100 023	M42x2	NP400 / S
38	950 100 024	M52x2	NP315 / S

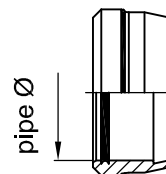
Cutting sleeve DIN 3861

Standard



Pipe Ø	Reference	NP
4	950 200 001	NP100 / LL
6	950 200 002	NP100 / LL
8	950 200 003	NP100 / LL
10	950 200 004	NP100 / LL
12	950 200 025	NP100 / LL
6	950 200 005	NP315 / L
8	950 200 006	NP315 / L
10	950 200 007	NP315 / L
12	950 200 008	NP315 / L
15	950 200 009	NP315 / L
18	950 200 010	NP315 / L
22	950 200 011	NP160 / L
28	950 200 012	NP160 / L
35	950 200 013	NP160 / L
42	950 200 014	NP160 / L
6	950 200 015	NP630 / S
8	950 200 016	NP630 / S
10	950 200 017	NP630 / S
12	950 200 018	NP630 / S
14	950 200 019	NP630 / S
16	950 200 020	NP400 / S
20	950 200 021	NP400 / S
25	950 200 022	NP400 / S
30	950 200 023	NP400 / S
38	950 200 024	NP315 / S

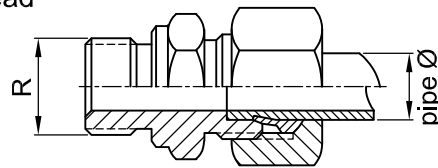
Tightlyl closure by o-ring



Pipe Ø	Reference	NP
6	950 201 001	L / S
8	950 201 002	L / S
10	950 201 003	L / S
12	950 201 004	L / S
15	950 201 005	L
18	950 201 006	L
22	950 201 007	L
28	950 201 008	L
35	950 201 009	L
42	950 201 010	L
14	950 201 011	S
16	950 201 012	S
20	950 201 013	S
25	950 201 014	S
30	950 201 015	S
38	950 201 016	S

Straight connector

Cylindrical thread

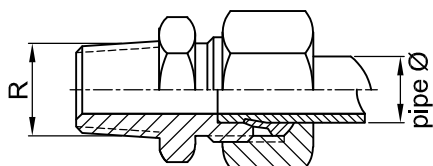


Pipe Ø	Reference	R	NP
4	950 300 101	M6x0,75	NP100 / LL
4	950 300 102	M6x1	NP100 / LL
4	950 300 103	M8x1	NP100 / LL
6	950 300 104	M6x0,75	NP100 / LL
6	950 300 105	M6x1	NP100 / LL
6	950 300 106	M10x1	NP315 / L
8	950 300 107	M12x1,5	NP315 / L
8	950 300 126	M14x1,5	NP315 / L
8	950 300 127	M16x1,5	NP315 / L
8	950 300 128	M18x1,5	NP315 / L
10	950 300 108	M14x1,5	NP315 / L
10	950 300 129	M16x1,5	NP315 / L
10	950 300 130	M18x1,5	NP315 / L
10	950 300 131	M22x1,5	NP315 / L
12	950 300 132	M14x1,5	NP315 / L
12	950 300 109	M16x1,5	NP315 / L
12	950 300 133	M18x1,5	NP315 / L
12	950 300 134	M22x1,5	NP315 / L
15	950 300 135	M16x1,5	NP315 / L
15	950 300 110	M18x1,5	NP315 / L
15	950 300 136	M22x1,5	NP315 / L
18	950 300 137	M18x1,5	NP315 / L
18	950 300 111	M22x1,5	NP315 / L
18	950 300 138	M26x1,5	NP315 / L
22	950 300 139	M22x1,5	NP160 / L
22	950 300 112	M26x1,5	NP160 / L
28	950 300 113	M33x2	NP160 / L
35	950 300 114	M42x2	NP160 / L
42	950 300 115	M48x2	NP160 / L
6	950 300 116	M12x1,5	NP630 / S
8	950 300 117	M14x1,5	NP630 / S
10	950 300 118	M16x1,5	NP630 / S
10	950 300 140	M18x1,5	NP630 / S
12	950 300 119	M18x1,5	NP630 / S
12	950 300 141	M22x1,5	NP630 / S
14	950 300 120	M20x1,5	NP630 / S
16	950 300 142	M18x1,5	NP400 / S
16	950 300 121	M22x1,5	NP400 / S
20	950 300 122	M27x2	NP400 / S
25	950 300 143	M27x2	NP400 / S
25	950 300 123	M33x2	NP400 / S
30	950 300 124	M42x2	NP400 / S
38	950 300 125	M48x2	NP315 / S

Ø tubo	Referencia	R	PN
4	950 300 001	G1/8"	NP100 / LL
6	950 300 002	G1/8"	NP100 / LL
8	950 300 003	G1/8"	NP100 / LL
10	950 300 004	G1/8"	NP100 / LL
6	950 300 005	G1/8"	NP315 / L
6	950 300 006	G1/4"	NP315 / L
6	950 300 036	G3/8"	NP315 / L
6	950 300 037	G1/2"	NP315 / L
8	950 300 038	G1/8"	NP315 / L
8	950 300 007	G1/4"	NP315 / L
8	950 300 008	G3/8"	NP315 / L
8	950 300 039	G1/2"	NP315 / L
10	950 300 040	G1/8"	NP315 / L
10	950 300 009	G1/4"	NP315 / L
10	950 300 010	G3/8"	NP315 / L
10	950 300 041	G1/2"	NP315 / L
12	950 300 011	G1/4"	NP315 / L
12	950 300 012	G3/8"	NP315 / L
12	950 300 013	G1/2"	NP315 / L
12	950 300 042	G3/4"	NP315 / L
15	950 300 014	G3/8"	NP315 / L
15	950 300 015	G1/2"	NP315 / L
15	950 300 043	G3/4"	NP315 / L
18	950 300 044	G3/8"	NP315 / L
18	950 300 016	G1/2"	NP315 / L
18	950 300 017	G3/4"	NP315 / L
22	950 300 045	G1/2"	NP160 / L
22	950 300 018	G3/4"	NP315 / L
22	950 300 046	G1"	NP315 / L
28	950 300 047	G3/4"	NP160 / L
28	950 300 019	G1"	NP160 / L
35	950 300 048	G1"	NP160 / L
35	950 300 020	G1.1/4"	NP160 / L
42	950 300 021	G1.1/2"	NP160 / L
6	950 300 022	G1/4"	NP630 / S
6	950 300 049	G1/2"	NP630 / S
8	950 300 023	G1/4"	NP630 / S
8	950 300 050	G3/8"	NP630 / S
10	950 300 051	G1/4"	NP630 / S
10	950 300 024	G3/8"	NP630 / S
10	950 300 058	G1/2"	NP630 / S
12	950 300 052	G1/4"	NP630 / S
12	950 300 025	G3/8"	NP630 / S
12	950 300 026	G1/2"	NP630 / S
14	950 300 027	G3/8"	NP630 / S
14	950 300 028	G1/2"	NP630 / S
16	950 300 029	G3/8"	NP400 / S
16	950 300 030	G1/2"	NP400 / S
16	950 300 031	G3/4"	NP400 / S
20	950 300 053	G1/2"	NP400 / S
20	950 300 032	G3/4"	NP400 / S
25	950 300 054	G3/4"	NP400 / S
25	950 300 033	G1"	NP400 / S
30	950 300 055	G1"	NP400 / S
30	950 300 304	G1.1/4"	NP400 / S
38	950 300 056	G1.1/4"	NP315 / S
38	950 300 035	G1.1/2"	NP315 / S

Straight connector

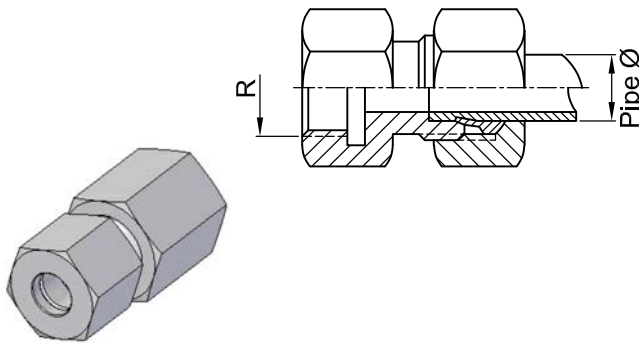
Tapered thread



Pipe Ø	Reference	R	NP
4	950 500 101	M8x1K	NP100 / LL
6	950 500 102	M10x1K	NP100 / LL
8	950 500 103	M10X1K	NP100 / LL
6	950 500 104	M10x1K	NP315 / L
8	950 500 105	M12x1,5K	NP315 / L
10	950 500 106	M14x1,5K	NP315 / L
12	950 500 107	M16x1,5K	NP315 / L
15	950 500 108	M18x1,5K	NP315 / L
18	950 500 109	M22x1,5K	NP315 / L
22	950 500 110	M26x1,5K	NP160 / L
28	950 500 111	M33x2K	NP160 / L
35	950 500 112	M42x2K	NP160 / L
42	950 500 113	M48x2K	NP160 / L
6	950 500 114	M12x1,5K	NP630 / S
8	950 500 115	M14x1,5K	NP630 / S
10	950 500 116	M16x1,5K	NP630 / S
12	950 500 117	M18x1,5K	NP630 / S
14	950 500 118	M20x1,5K	NP630 / S
16	950 500 119	M22x1,5K	NP400 / S
20	950 500 120	M27x2	NP400 / S
25	950 500 121	M33x2	NP400 / S
30	950 500 122	M42x2	NP400 / S
38	950 500 123	M48x2	NP315 / S

Pipe Ø	Reference	R	NP
4	950 500 001	G1/8"K	NP100 / LL
6	950 500 002	G1/8"K	NP100 / LL
8	950 500 003	G1/8"K	NP100 / LL
8	950 500 032	G1/4"K	NP100 / LL
10	950 500 004	G1/8"K	NP100 / LL
10	950 500 030	G1/4"K	NP100 / LL
12	950 500 031	G1/4"K	NP100 / LL
12	950 500 033	G3/8"K	NP100 / LL
6	950 500 005	G1/4"K	NP315 / L
8	950 500 034	G1/8"K	NP315 / L
8	950 500 006	G1/4"K	NP315 / L
8	950 500 007	G3/8"K	NP315 / L
8	950 500 035	G1/2"K	NP315 / L
10	950 500 036	G1/8"K	NP315 / L
10	950 500 008	G1/4"K	NP315 / L
10	950 500 009	G3/8"K	NP315 / L
10	950 500 049	G1/2"K	NP315 / L
12	950 500 010	G1/4"K	NP315 / L
12	950 500 011	G3/8"K	NP315 / L
12	950 500 012	G1/2"K	NP315 / L
15	950 500 013	G3/8"K	NP315 / L
15	950 500 014	G1/2"K	NP315 / L
18	950 500 037	G3/8"K	NP315 / L
18	950 500 015	G1/2"K	NP315 / L
18	950 500 038	G3/4"K	NP315 / L
22	950 500 016	G3/4"K	NP160 / L
28	950 500 017	G1"K	NP160 / L
35	950 500 039	G1"K	NP160 / L
35	950 500 018	G1.1/4"K	NP160 / L
42	950 500 019	G1.1/2"K	NP160 / L
6	950 500 020	G1/4"K	NP630 / S
8	950 500 021	G1/4"K	NP630 / S
10	950 500 040	G1/4"K	NP630 / S
10	950 500 022	G3/8"K	NP630 / S
10	950 500 041	G1/2"K	NP630 / S
12	950 500 042	G1/4"K	NP630 / S
12	950 500 023	G3/8"K	NP630 / S
12	950 500 043	G1/2"K	NP630 / S
14	950 500 044	G3/8"K	NP630 / S
14	950 500 024	G1/2"K	NP630 / S
16	950 500 045	G3/8"K	NP400 / S
16	950 500 025	G1/2"K	NP400 / S
20	950 500 046	G1/2"K	NP400 / S
20	950 500 026	G3/4"K	NP400 / S
25	950 500 027	G1"K	NP400 / S
30	950 500 047	G1"K	NP400 / S
30	950 500 028	G1.1/4"K	NP400 / S
38	950 500 050	G1.1/4"K	NP315 / S
38	950 500 029	G1.1/2"K	NP315 / S

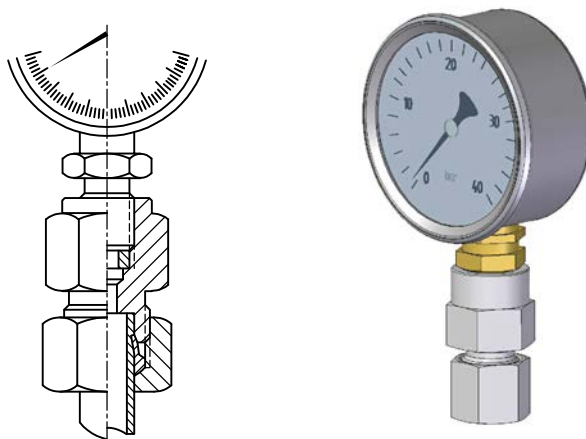
Straight female connector Cylindrical thread



Pipe Ø	Reference	R	NP
6	950 600 101	M10x1	NP315 / L
8	950 600 102	M12x1,5	NP315 / L
10	950 600 103	M14x1,5	NP315 / L
12	950 600 104	M16x1,5	NP315 / L
15	950 600 105	M18x1,5	NP315 / L
18	950 600 106	M22x1,5	NP315 / L
22	950 600 107	M26x1,5	NP160 / L
28	950 600 108	M33x2	NP160 / L
35	950 600 109	M42x2	NP160 / L
42	950 600 110	M48x2	NP160 / L
6	950 600 111	M12x1,5	NP630 / S
8	950 600 112	M14x1,5	NP630 / S
10	950 600 113	M16x1,5	NP630 / S
12	950 600 114	M18x1,5	NP630 / S
14	950 600 115	M20x1,5	NP630 / S
16	950 600 116	M22x1,5	NP400 / S
20	950 600 117	M27x2	NP400 / S
25	950 600 118	M33x2	NP400 / S
30	950 600 119	M42x2	NP400 / S
38	950 600 120	M48x2	NP315 / L

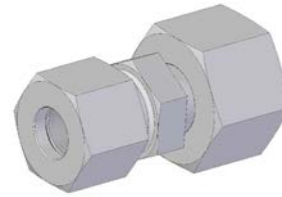
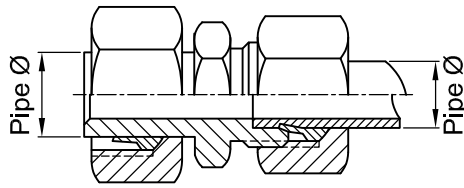
Ø tubo	Referencia	R	PN
4	950 600 001	G1/8"	NP100 / LL
4	950 600 002	G1/4"	NP100 / LL
6	950 600 003	G1/8"	NP100 / LL
6	950 600 004	G1/8"	NP315 / L
6	950 600 005	G1/4"	NP315 / L
8	950 600 006	G1/4"	NP315 / L
8	950 600 025	G3/8"	NP315 / L
8	950 600 026	G1/2"	NP315 / L
10	950 600 007	G1/4"	NP315 / L
10	950 600 027	G3/8"	NP315 / L
10	950 600 028	G1/2"	NP315 / L
12	950 600 008	G3/8"	NP315 / L
12	950 600 029	G1/2"	NP315 / L
15	950 600 009	G1/2"	NP315 / L
18	950 600 010	G1/2"	NP315 / L
22	950 600 011	G3/4"	NP315 / L
28	950 600 012	G1"	NP160 / L
35	950 600 013	G1.1/4"	NP160 / L
42	950 600 014	G1.1/2"	NP160 / L
6	950 600 015	G1/4"	NP630 / S
8	950 600 016	G1/4"	NP630 / S
10	950 600 017	G3/8"	NP630 / S
12	950 600 018	G3/8"	NP630 / S
14	950 600 019	G1/2"	NP630 / S
16	950 600 020	G1/2"	NP400 / S
20	950 600 021	G3/4"	NP400 / S
25	950 600 022	G1"	NP400 / S
30	950 600 023	G1.1/4"	NP400 / S
38	950 600 024	G1.1/2"	NP315 / L

Fitting for pressure gauge



Pipe Ø	Reference	R	NP
6	950 700 001	G1/4"	NP315 / L
8	950 700 002	G1/4"	NP315 / L
10	950 700 003	G1/4"	NP315 / L
12	950 700 004	G1/4"	NP315 / L
6	950 700 005	G1/2"	NP630 / S
8	950 700 006	G1/2"	NP630 / S
10	950 700 007	G1/2"	NP630 / S
12	950 700 008	G1/2"	NP630 / S
6	950 700 009	G1/4"	NP630 / S
8	950 700 010	G1/4"	NP630 / S
10	950 700 011	G1/4"	NP630 / S
12	950 700 012	G1/4"	NP630 / S

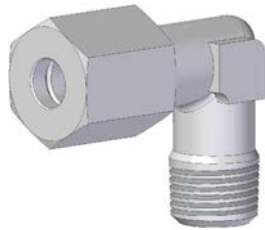
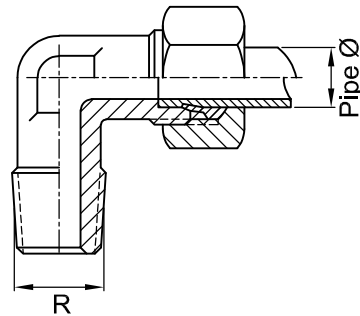
Tube to tube reducing connector



Pipe Ø	Reference	NP
8/6	950 401 201	L
10/6	950 401 202	L
10/8	950 401 203	L
12/6	950 401 204	L
12/8	950 401 205	L
12/10	950 401 206	L
15/6	950 401 207	L
15/8	950 401 208	L
15/10	950 401 209	L
15/12	950 401 210	L
18/6	950 401 211	L
18/8	950 401 212	L
18/10	950 401 213	L
18/12	950 401 214	L
18/15	950 401 215	L
22/6	950 401 216	L
22/8	950 401 217	L
22/10	950 401 218	L
22/12	950 401 219	L
22/15	950 401 220	L
22/18	950 401 221	L
28/6	950 401 222	L
28/8	950 401 223	L
28/10	950 401 224	L
28/12	950 401 225	L
28/15	950 401 226	L
28/18	950 401 227	L
28/22	950 401 228	L
35/6	950 401 229	L
35/8	950 401 230	L
35/10	950 401 231	L
35/12	950 401 232	L
35/15	950 401 233	L
35/18	950 401 234	L
35/22	950 401 235	L
35/28	950 401 236	L
42/6	950 401 237	L
42/8	950 401 238	L
42/10	950 401 239	L
42/12	950 401 240	L
42/15	950 401 241	L
42/18	950 401 242	L
42/22	950 401 243	L
42/28	950 401 244	L
42/35	950 401 245	L

Pipe Ø	Reference	NP
8/6	950 401 301	S
10/6	950 401 302	S
10/8	950 401 303	S
12/6	950 401 304	S
12/8	950 401 305	S
12/10	950 401 306	S
14/6	950 401 307	S
14/8	950 401 308	S
14/10	950 401 309	S
14/12	950 401 310	S
16/6	950 401 311	S
16/8	950 401 312	S
16/10	950 401 313	S
16/12	950 401 314	S
16/14	950 401 315	S
20/6	950 401 316	S
20/8	950 401 317	S
20/10	950 401 318	S
20/12	950 401 319	S
20/14	950 401 320	S
20/16	950 401 321	S
25/6	950 401 322	S
25/8	950 401 323	S
25/10	950 401 324	S
25/12	950 401 325	S
25/14	950 401 326	S
25/16	950 401 327	S
25/20	950 401 328	S
30/6	950 401 329	S
30/8	950 401 330	S
30/10	950 401 331	S
30/12	950 401 332	S
30/14	950 401 333	S
30/16	950 401 334	S
30/20	950 401 335	S
30/25	950 401 336	S
38/6	950 401 337	S
38/8	950 401 338	S
38/10	950 401 339	S
38/12	950 401 340	S
38/14	950 401 341	S
38/16	950 401 342	S
38/20	950 401 343	S
38/25	950 401 344	S
38/30	950 401 345	S

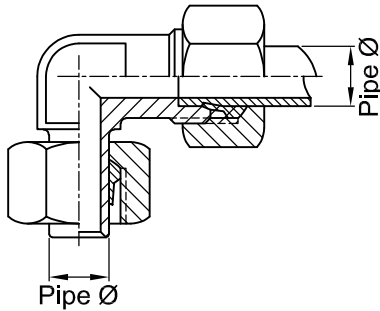
Elbow connector Tapered thread



Pipe Ø	Reference	R	NP
4	950 800 001	M6x0,75K	NP100 / LL
4	950 800 002	M6x1K	NP100 / LL
4	950 801 001	M8x1K	NP100 / LL
6	950 800 004	M6x0,75K	NP100 / LL
6	950 800 005	M6x1K	NP100 / LL
6	950 801 002	M10x1K	NP100 / LL
8	950 801 003	M10x1K	NP100 / LL
6	950 801 004	M10x1K	NP315 / L
8	950 801 005	M12x1,5K	NP315 / L
10	950 801 006	M14x1,5K	NP315 / L
12	950 801 007	M16x1,5K	NP315 / L
15	950 801 008	M18x1,5K	NP315 / L
18	950 801 009	M22x1,5K	NP315 / L
6	950 801 010	M12x1,5K	NP630 / S
8	950 801 011	M14x1,5K	NP630 / S
10	950 801 012	M16x1,5K	NP630 / S
12	950 801 013	M18x1,5K	NP630 / S
14	950 801 014	M20x1,5K	NP630 / S
16	950 801 015	M22x1,5K	NP400 / S

Pipe Ø	Reference	R	NP
4	950 800 003	G1/8"K	NP100 / LL
6	950 800 006	G1/8"K	NP100 / LL
8	950 800 007	G1/8"K	NP100 / LL
10	950 800 008	G1/8"K	NP100 / LL
10	950 800 034	G1/4"K	NP100 / LL
12	950 800 035	G1/4"K	NP100 / LL
6	950 800 009	G1/8"K	NP315 / L
6	950 800 010	G1/4"K	NP315 / L
8	950 800 041	G1/8"K	NP315 / L
8	950 800 011	G1/4"K	NP315 / L
8	950 800 042	G3/8"K	NP315 / L
10	950 800 012	G1/4"K	NP315 / L
10	950 800 013	G3/8"K	NP315 / L
10	950 800 043	G1/2"K	NP315 / L
12	950 800 014	G1/4"K	NP315 / L
12	950 800 015	G3/8"K	NP315 / L
12	950 800 044	G1/2"K	NP315 / L
15	950 800 017	G3/8"K	NP315 / L
15	950 800 018	G1/2"K	NP315 / L
18	950 800 019	G1/2"K	NP315 / L
22	950 800 040	G3/4"K	NP160 / L
28	950 800 049	G1"K	NP160 / L
35	950 800 050	G1.1/4"K	NP160 / L
42	950 800 051	G1.1/2"K	NP160 / L
6	950 800 024	G1/4"K	NP630 / S
8	950 800 025	G1/4"K	NP630 / S
10	950 800 026	G3/8"K	NP630 / S
12	950 800 027	G3/8"K	NP630 / S
12	950 800 016	G1/2"K	NP630 / S
14	950 800 028	G1/2"K	NP630 / S
16	950 800 045	G3/8"K	NP400 / S
16	950 800 029	G1/2"K	NP400 / S
20	950 800 046	G1/2"K	NP400 / S
20	950 800 036	G3/4"K	NP400 / S
25	950 800 037	G1"K	NP400 / S
30	950 800 038	G1.1/4"K	NP400 / S
38	950 800 039	G1.1/2"K	NP315 / S

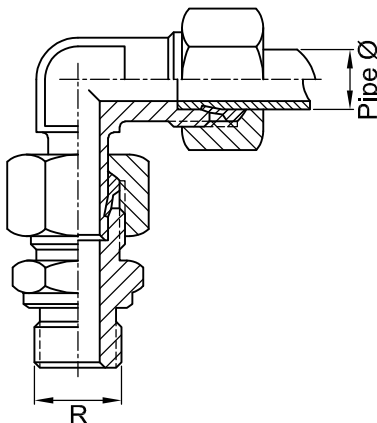
Swivelling elbow



Pipe Ø	Reference	NP
6	950 800 301	L
8	950 800 302	L
10	950 800 303	L
12	950 800 304	L
15	950 800 305	L
18	950 800 306	L
22	950 800 307	L
28	950 800 308	L
35	950 800 309	L
42	950 800 310	L
6	950 800 311	S
8	950 800 312	S
10	950 800 313	S
12	950 800 314	S
14	950 800 315	S
16	950 800 316	S
20	950 800 317	S
25	950 800 318	S
30	950 800 319	S
38	950 800 320	S

Male swivelling elbow

Cylindrical thread

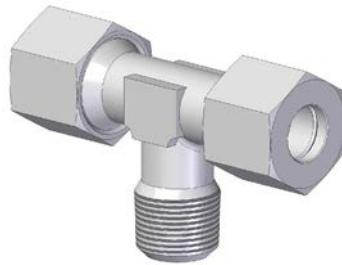
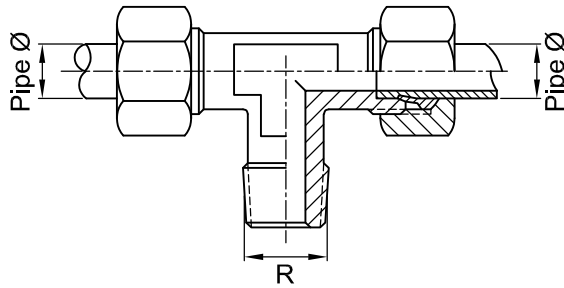


Pipe Ø	Reference	R	NP
6	950 801 201	M10x1	NP315 / L
8	950 801 202	M12x1,5	NP315 / L
10	950 801 203	M14x1,5	NP315 / L
12	950 801 204	M16x1,5	NP315 / L
15	950 801 204	M18x1,5	NP315 / L
18	950 801 206	M22x1,5	NP315 / L
22	950 801 207	M26x1,5	NP160 / L
28	950 801 208	M33x2	NP160 / L
35	950 801 209	M42x2	NP160 / L
42	950 801 210	M48x2	NP160 / L
6	950 801 211	M12x1,5	NP630 / S
8	950 801 212	M14x1,5	NP630 / S
10	950 801 213	M16x1,5	NP630 / S
12	950 801 214	M18x1,5	NP630 / S
14	950 801 215	M20x1,5	NP630 / S
16	950 801 216	M22x1,5	NP400 / S
20	950 801 217	M27x2	NP400 / S
25	950 801 218	M33x2	NP400 / S
30	950 801 219	M42x2	NP400 / S
38	950 801 220	M48x2	NP315 / S

Pipe Ø	Reference	R	NP
6	950 800 201	G1/8"	NP315 / L
8	950 800 202	G1/4"	NP315 / L
10	950 800 203	G1/4"	NP315 / L
12	950 800 204	G3/8"	NP315 / L
15	950 800 204	G1/2"	NP315 / L
18	950 800 206	G1/2"	NP315 / L
22	950 800 207	G3/4"	NP315 / L
28	950 800 208	G1"	NP160 / L
35	950 800 209	G1.1/4"	NP160 / L
42	950 800 210	G1.1/2"	NP160 / L
6	950 800 211	G1/4"	NP630 / S
8	950 800 212	G1/4"	NP630 / S
10	950 800 213	G3/8"	NP630 / S
12	950 800 214	G3/8"	NP630 / S
14	950 800 215	G1/2"	NP630 / S
16	950 800 216	G1/2"	NP400 / S
20	950 800 217	G3/4"	NP400 / S
25	950 800 218	G1"	NP400 / S
30	950 800 219	G1.1/4"	NP400 / S
38	950 800 220	G1.1/2"	NP315 / S

Male -T- connector

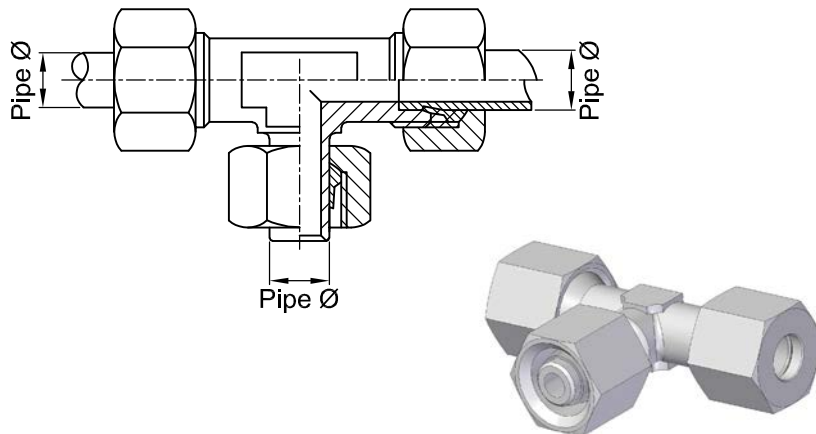
Tapered thread



Pipe Ø	Reference	R	NP
4	950 900 001	G1/8"K	NP100 / LL
6	950 900 002	G1/8"K	NP100 / LL
8	950 900 003	G1/8"K	NP100 / LL
10	950 900 025	G1/4"K	NP100 / LL
12	950 900 026	G1/4"K	NP100 / LL
6	950 900 004	G1/8"K	NP315 / L
6	950 900 005	G1/4"K	NP315 / L
8	950 900 006	G1/4"K	NP315 / L
10	950 900 007	G1/4"K	NP315 / L
12	950 900 008	G3/8"K	NP315 / L
15	950 900 009	G1/2"K	NP315 / L
18	950 900 010	G1/2"K	NP315 / L
22	950 900 027	G3/4"K	NP315 / L
28	950 900 028	G1"K	NP160 / L
35	950 900 029	G1.1/4"K	NP160 / L
42	950 900 030	G1.1/2"K	NP160 / L
6	950 900 015	G1/4"K	NP630 / S
8	950 900 016	G1/4"K	NP630 / S
10	950 900 017	G3/8"K	NP630 / S
12	950 900 018	G3/8"K	NP630 / S
14	950 900 019	G1/2"K	NP630 / S
16	950 900 020	G1/2"K	NP400 / S
20	950 900 031	G3/4"K	NP400 / S
25	950 900 032	G1"K	NP400 / S
30	950 900 033	G1.1/4"K	NP400 / S
38	950 900 034	G1.1/2"K	NP315 / S

Pipe Ø	Reference	R	NP
4	950 901 001	M8x1K	NP100 / LL
6	950 901 002	M10x1K	NP100 / LL
8	950 901 003	M10x1K	NP100 / LL
6	950 901 004	M10x1K	NP315 / L
8	950 901 005	M12x1,5K	NP315 / L
10	950 901 006	M14x1,5K	NP315 / L
12	950 901 007	M16x1,5K	NP315 / L
15	950 901 008	M18x1,5K	NP315 / L
18	950 901 009	M22x1,5K	NP315 / L
6	950 901 010	M12x1,5K	NP630 / S
8	950 901 011	M14x1,5K	NP630 / S
10	950 901 012	M16x1,5K	NP630 / S
12	950 901 013	M18x1,5K	NP630 / S
14	950 901 014	M20x1,5K	NP630 / S
16	950 901 015	M22x1,5K	NP400 / S

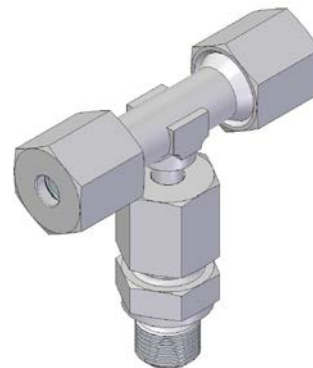
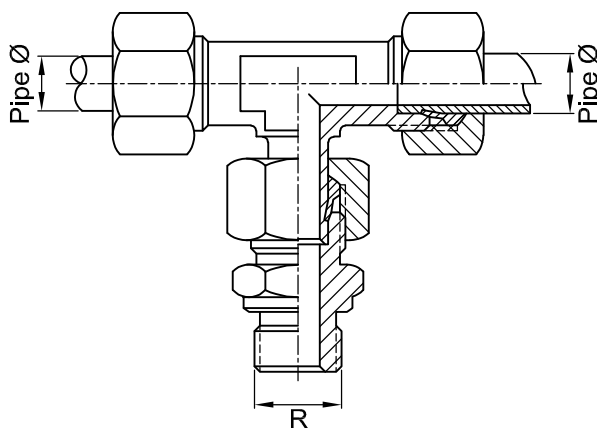
Swivelling -T- connector



Pipe Ø	Reference	NP
6	950 900 301	L
8	950 900 302	L
10	950 900 303	L
12	950 900 304	L
15	950 900 305	L
18	950 900 306	L
22	950 900 307	L
28	950 900 308	L
35	950 900 309	L
42	950 900 310	L
6	950 900 311	S
8	950 900 312	S
10	950 900 313	S
12	950 900 314	S
14	950 900 315	S
16	950 900 316	S
20	950 900 317	S
25	950 900 318	S
30	950 900 319	S
38	950 900 320	S

Swivelling -T- male connector

Cylindrical thread

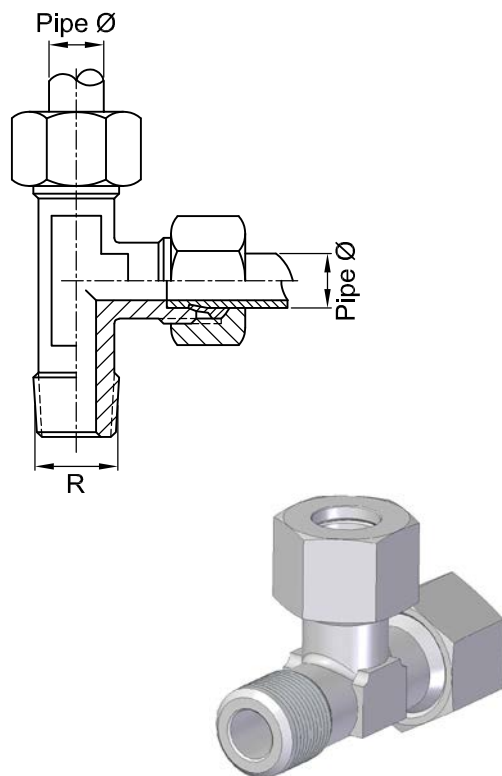


Pipe Ø	Reference	R	NP
6	950 901 201	M10x1	NP315 / L
8	950 901 202	M12x1,5	NP315 / L
10	950 901 203	M14x1,5	NP315 / L
12	950 901 204	M16x1,5	NP315 / L
15	950 901 204	M18x1,5	NP315 / L
18	950 901 206	M22x1,5	NP315 / L
22	950 901 207	M26x1,5	NP160 / L
28	950 901 208	M33x2	NP160 / L
35	950 901 209	M42x2	NP160 / L
42	950 901 210	M48x2	NP160 / L
6	950 901 211	M12x1,5	NP630 / S
8	950 901 212	M14x1,5	NP630 / S
10	950 901 213	M16x1,5	NP630 / S
12	950 901 214	M18x1,5	NP630 / S
14	950 901 215	M20x1,5	NP630 / S
16	950 901 216	M22x1,5	NP400 / S
20	950 901 217	M27x2	NP400 / S
25	950 901 218	M33x2	NP400 / S
30	950 901 219	M42x2	NP400 / S
38	950 901 220	M48x2	NP315 / S

Pipe Ø	Reference	R	NP
6	950 900 201	G1/8"	NP315 / L
8	950 900 202	G1/4"	NP315 / L
10	950 900 203	G1/4"	NP315 / L
12	950 900 204	G3/8"	NP315 / L
15	950 900 204	G1/2"	NP315 / L
18	950 900 206	G1/2"	NP315 / L
22	950 900 207	G3/4"	NP315 / L
28	950 900 208	G1"	NP160 / L
35	950 900 209	G1.1/4"	NP160 / L
42	950 900 210	G1.1/2"	NP160 / L
6	950 900 211	G1/4"	NP630 / S
8	950 900 212	G1/4"	NP630 / S
10	950 900 213	G3/8"	NP630 / S
12	950 900 214	G3/8"	NP630 / S
14	950 900 215	G1/2"	NP630 / S
16	950 900 216	G1/2"	NP400 / S
20	950 900 217	G3/4"	NP400 / S
25	950 900 218	G1"	NP400 / S
30	950 900 219	G1.1/4"	NP400 / S
38	950 900 220	G1.1/2"	NP315 / S

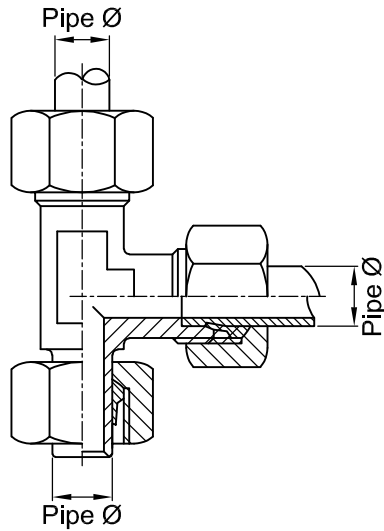
-L- shape male connector

Tapered thread

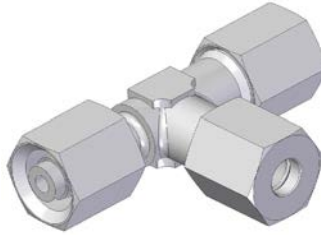


Pipe Ø	Reference	R	NP
4	951 000 001	G1/8"K	NP100 / LL
6	951 000 002	G1/8"K	NP100 / LL
8	951 000 003	G1/8"K	NP100 / LL
6	951 000 004	G1/8"K	NP315 / L
6	951 000 005	G1/4"K	NP315 / L
8	951 000 006	G1/4"K	NP315 / L
10	951 000 007	G1/4"K	NP315 / L
12	951 000 008	G3/8"K	NP315 / L
15	951 000 009	G1/2"K	NP315 / L
18	951 000 010	G1/2"K	NP315 / L
22	951 000 025	G3/4"K	NP315 / L
28	951 000 026	G1"K	NP160 / L
35	951 000 027	G1.1/4"K	NP160 / L
42	951 000 028	G1.1/2"K	NP160 / L
6	951 000 015	G1/4"K	NP630 / S
8	951 000 016	G1/4"K	NP630 / S
10	951 000 017	G3/8"K	NP630 / S
12	951 000 018	G3/8"K	NP630 / S
14	951 000 019	G1/2"K	NP630 / S
16	951 000 020	G1/2"K	NP400 / S
20	951 000 029	G3/4"K	NP400 / S
25	951 000 030	G1"K	NP400 / S
30	951 000 031	G1.1/4"K	NP400 / S
38	951 000 032	G1.1/2"K	NP315 / S

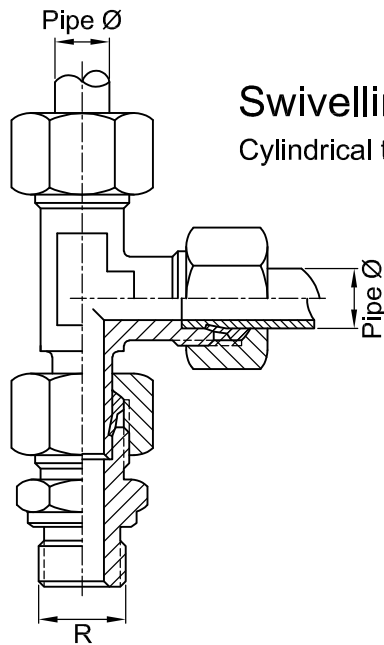
Pipe Ø	Reference	R	NP
4	951 001 001	M8x1K	NP100 / LL
6	951 001 002	M10x1K	NP100 / LL
8	951 001 003	M10x1K	NP100 / LL
6	951 001 004	M10x1K	NP315 / L
8	951 001 005	M12x1,5K	NP315 / L
10	951 001 006	M14x1,5K	NP315 / L
12	951 001 007	M16x1,5K	NP315 / L
15	951 001 008	M18x1,5K	NP315 / L
18	951 001 009	M22x1,5K	NP315 / L
6	951 001 010	M12x1,5K	NP630 / S
8	951 001 011	M14x1,5K	NP630 / S
10	951 001 012	M16x1,5K	NP630 / S
12	951 001 013	M18x1,5K	NP630 / S
14	951 001 014	M20x1,5K	NP630 / S
16	951 001 015	M22x1,5K	NP400 / S



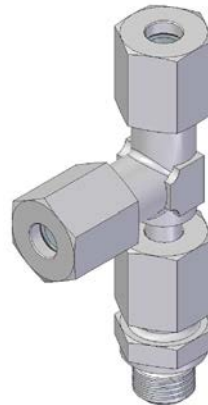
Swivelling -L-



Pipe Ø	Reference	NP
6	951 000 301	L
8	951 000 302	L
10	951 000 303	L
12	951 000 304	L
15	951 000 305	L
18	951 000 306	L
22	951 000 307	L
28	951 000 308	L
35	951 000 309	L
42	951 000 310	L
6	951 000 311	S
8	951 000 312	S
10	951 000 313	S
12	951 000 314	S
14	951 000 315	S
16	951 000 316	S
20	951 000 317	S
25	951 000 318	S
30	951 000 319	S
38	951 000 320	S



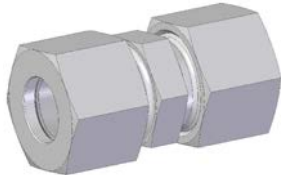
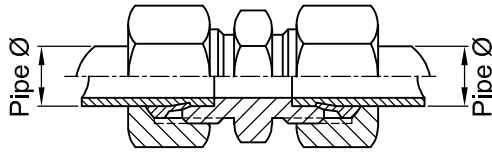
Swivelling -L- male
Cylindrical thread



Pipe Ø	Reference	R	NP
6	951 001 201	M10x1	NP315 / L
8	951 001 202	M12x1,5	NP315 / L
10	951 001 203	M14x1,5	NP315 / L
12	951 001 204	M16x1,5	NP315 / L
15	951 001 204	M18x1,5	NP315 / L
18	951 001 206	M22x1,5	NP315 / L
22	951 001 207	M26x1,5	NP160 / L
28	951 001 208	M33x2	NP160 / L
35	951 001 209	M42x2	NP160 / L
42	951 001 210	M48x2	NP160 / L
6	951 001 211	M12x1,5	NP630 / S
8	951 001 212	M14x1,5	NP630 / S
10	951 001 213	M16x1,5	NP630 / S
12	951 001 214	M18x1,5	NP630 / S
14	951 001 215	M20x1,5	NP630 / S
16	951 001 216	M22x1,5	NP400 / S
20	951 001 217	M27x2	NP400 / S
25	951 001 218	M33x2	NP400 / S
30	951 001 219	M42x2	NP400 / S
38	951 001 220	M48x2	NP315 / S

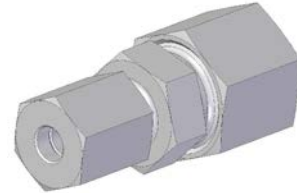
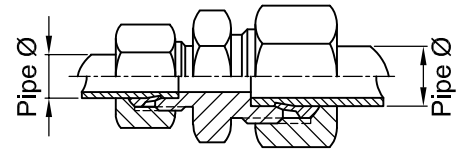
Pipe Ø	Reference	R	NP
6	951 000 201	G1/8"	NP315 / L
8	951 000 202	G1/4"	NP315 / L
10	951 000 203	G1/4"	NP315 / L
12	951 000 204	G3/8"	NP315 / L
15	951 000 204	G1/2"	NP315 / L
18	951 000 206	G1/2"	NP315 / L
22	951 000 207	G3/4"	NP315 / L
28	951 000 208	G1"	NP160 / L
35	951 000 209	G1.1/4"	NP160 / L
42	951 000 210	G1.1/2"	NP160 / L
6	951 000 211	G1/4"	NP630 / S
8	951 000 212	G1/4"	NP630 / S
10	951 000 213	G3/8"	NP630 / S
12	951 000 214	G3/8"	NP630 / S
14	951 000 215	G1/2"	NP630 / S
16	951 000 216	G1/2"	NP400 / S
20	951 000 217	G3/4"	NP400 / S
25	951 000 218	G1"	NP400 / S
30	951 000 219	G1.1/4"	NP400 / S
38	951 000 220	G1.1/2"	NP315 / S

Tube to tube straight connector



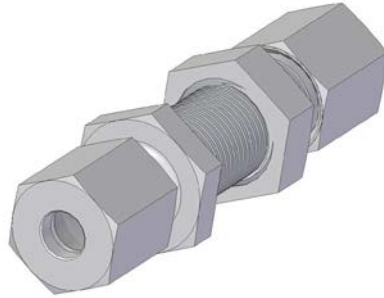
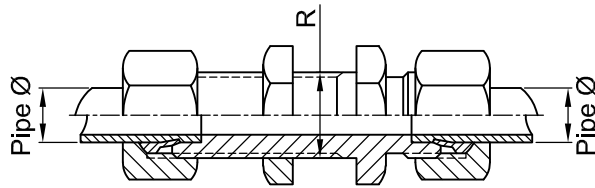
Pipe Ø	Reference	NP
4	951 100 001	LL
6	951 100 002	LL
8	951 100 003	LL
10	951 100 004	LL
12	951 100 005	LL
6	951 100 006	L
8	951 100 007	L
10	951 100 008	L
12	951 100 009	L
15	951 100 010	L
18	951 100 011	L
22	951 100 012	L
28	951 100 013	L
35	951 100 014	L
42	951 100 015	L
6	951 100 016	S
8	951 100 017	S
10	951 100 018	S
12	951 100 019	S
14	951 100 020	S
16	951 100 021	S
20	951 100 022	S
25	951 100 023	S
30	951 100 024	S
38	951 100 025	S

Tube to tube reducing connector



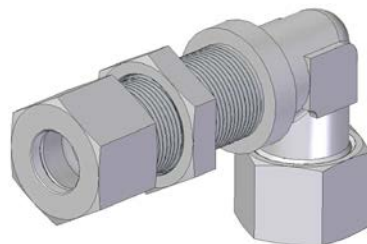
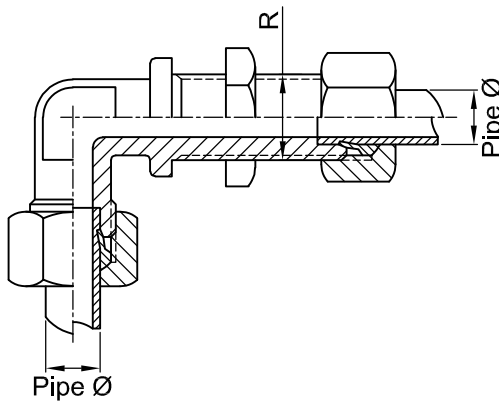
Pipe Ø	Reference	NP
6/4	951 101 001	LL
8/4	951 101 002	LL
8/6	951 101 003	LL
8/6	951 101 004	L
10/6	951 101 005	L
10/8	951 101 006	L
12/6	951 101 007	L
12/8	951 101 008	L
12/10	951 101 009	L
15/10	951 101 010	L
15/12	951 101 011	L
18/10	951 101 012	L
18/12	951 101 013	L
18/15	951 101 014	L
22/12	951 101 015	L
22/15	951 101 016	L
22/18	951 101 017	L
28/18	951 101 018	L
28/22	951 101 019	L
35/22	951 101 020	L
35/28	951 101 021	L
8/6	951 101 022	S
10/6	951 101 023	S
10/8	951 101 024	S
12/6	951 101 025	S
12/8	951 101 026	S
12/10	951 101 027	S
14/10	951 101 028	S
14/12	951 101 029	S
16/12	951 101 030	S
16/14	951 101 031	S
20/10	951 101 032	S
20/12	951 101 033	S
20/14	951 101 034	S
20/16	951 101 035	S
25/16	951 101 036	S
25/20	951 101 037	S
30/20	951 101 038	S
30/25	951 101 039	S
38/25	951 101 040	S
38/30	951 101 041	S

Straight bulkhead connector



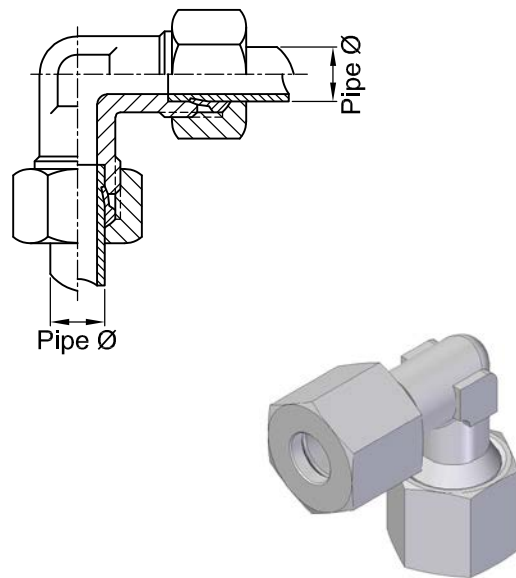
Pipe Ø	Reference	R	NP
6	951 500 002	M12x1,5	NP315 / L
8	951 500 004	M14x1,5	NP315 / L
10	951 500 006	M16x1,5	NP315 / L
12	951 500 008	M18x1,5	NP315 / L
15	951 500 010	M22x1,5	NP315 / L
18	951 500 012	M26x1,5	NP315 / L
22	951 500 013	M30x2	NP160 / L
28	951 500 014	M36x2	NP160 / L
35	951 500 015	M45x2	NP160 / L
42	951 500 016	M52x2	NP160 / L
6	951 500 017	M14x1,5	NP630 / S
8	951 500 018	M16x1,5	NP630 / S
10	951 500 019	M18x1,5	NP630 / S
12	951 500 020	M20x1,5	NP630 / S
14	951 500 021	M22x1,5	NP630 / S
16	951 500 02	M24x1,5	NP400 / S
20	951 500 023	M30x2	NP400 / S
25	951 500 024	M36x2	NP400 / S
30	951 500 025	M42x2	NP400 / S
38	951 500 026	M52x2	NP315 / S

Elbow bulkhead connector



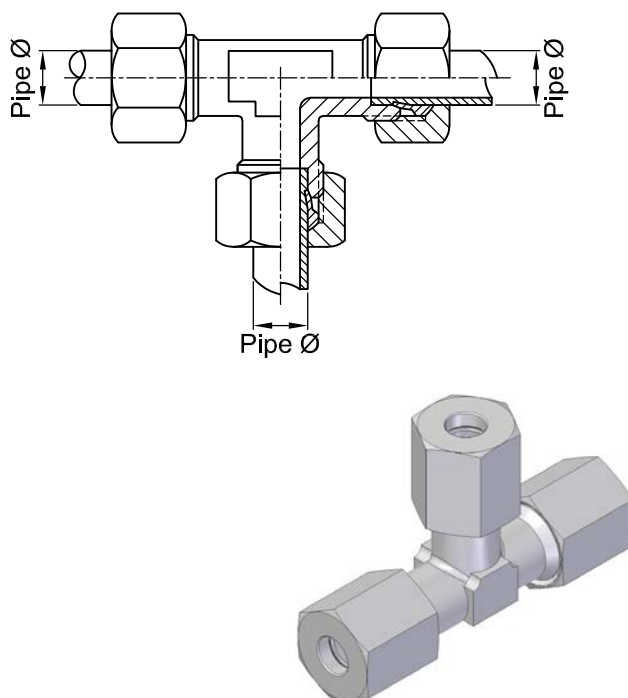
Pipe Ø	Reference	R	NP
6	951 600 001	M12x1,5	NP315 / L
8	951 600 002	M14x1,5	NP315 / L
10	951 600 003	M16x1,5	NP315 / L
12	951 600 004	M18x1,5	NP315 / L
15	951 600 005	M22x1,5	NP315 / L
18	951 600 006	M26x1,5	NP315 / L
22	951 600 007	M30x2	NP160 / L
28	951 600 008	M36x2	NP160 / L
35	951 600 009	M45x2	NP160 / L
42	951 600 010	M52x2	NP160 / L
6	951 600 011	M14x1,5	NP630 / S
8	951 600 012	M16x1,5	NP630 / S
10	951 600 013	M18x1,5	NP630 / S
12	951 600 014	M20x1,5	NP630 / S
14	951 600 015	M22x1,5	NP630 / S
16	951 600 016	M24x1,5	NP400 / S
20	951 600 017	M30x2	NP400 / S
25	951 600 018	M36x2	NP400 / S
30	951 600 019	M42x2	NP400 / S
38	951 600 020	M52x2	NP315 / S

Elbow connector



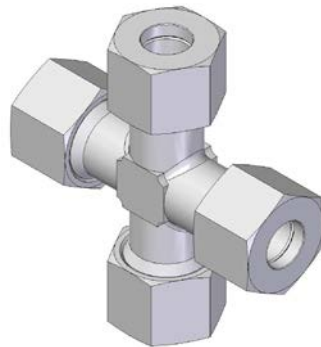
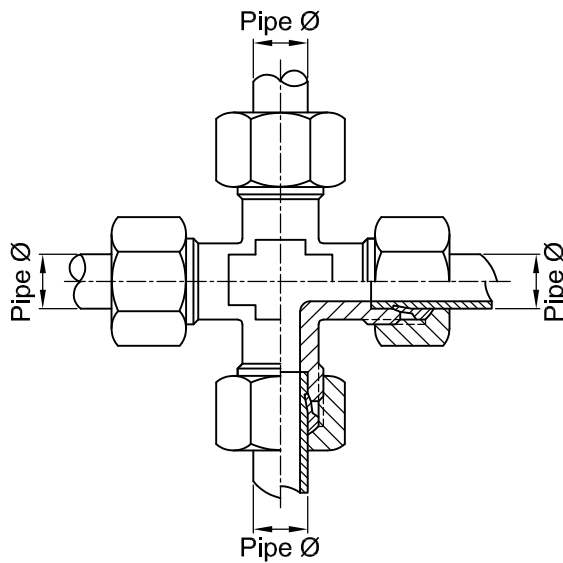
Pipe Ø	Reference	NP
4	951 200 001	LL
6	951 200 002	LL
8	951 200 003	LL
10	951 200 024	LL
12	951 200 025	LL
6	951 200 004	L
8	951 200 005	L
10	951 200 006	L
12	951 200 007	L
15	951 200 008	L
18	951 200 009	L
22	951 200 010	L
28	951 200 011	L
35	951 200 012	L
42	951 200 013	L
6	951 200 014	S
8	951 200 015	S
10	951 200 016	S
12	951 200 017	S
14	951 200 018	S
16	951 200 019	S
20	951 200 020	S
25	951 200 021	S
30	951 200 022	S
38	951 200 023	S

-T- connector



Pipe Ø	Reference	NP
4	951 300 001	LL
6	951 300 002	LL
8	951 300 003	LL
10	951 300 024	LL
12	951 300 025	LL
6	951 300 004	L
8	951 300 005	L
10	951 300 006	L
12	951 300 007	L
15	951 300 008	L
18	951 300 009	L
22	951 300 010	L
28	951 300 011	L
35	951 300 012	L
42	951 300 013	L
6	951 300 014	S
8	951 300 015	S
10	951 300 016	S
12	951 300 017	S
14	951 300 018	S
16	951 300 019	S
20	951 300 020	S
25	951 300 021	S
30	951 300 022	S
38	951 300 023	S

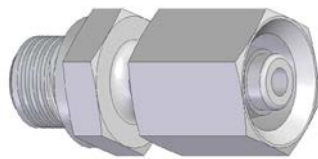
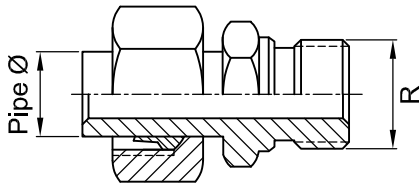
Cross shape connector



Pipe Ø	Reference	NP
4	951 400 001	LL
6	951 400 002	LL
8	951 400 003	LL
6	951 400 004	L
8	951 400 005	L
10	951 400 006	L
12	951 400 007	L
15	951 400 008	L
18	951 400 009	L
22	951 400 010	L
28	951 400 011	L
35	951 400 012	L
42	951 400 013	L
6	951 400 014	S
8	951 400 015	S
10	951 400 016	S
12	951 400 017	S
14	951 400 018	S
16	951 400 019	S
20	951 400 020	S
25	951 400 021	S
30	951 400 022	S
38	951 400 023	S

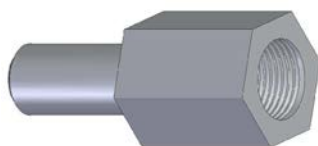
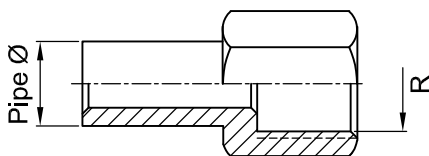
Male straight fitting with stud

Cylindrical thread



Pipe Ø	Reference	R	NP
6	951 800 601	G1/8"	NP315 / L
8	951 800 602	G1/4"	NP315 / L
8	951 800 623	G1/8"	NP315 / L
10	951 800 603	G1/4"	NP315 / L
12	951 800 621	G1/4"	NP315 / L
12	951 800 604	G3/8"	NP315 / L
15	951 800 605	G1/2"	NP315 / L
18	951 800 606	G1/2"	NP315 / L
22	951 800 607	G3/4"	NP315 / L
28	951 800 608	G1"	NP160 / L
35	951 800 609	G1.1/4"	NP160 / L
42	951 800 610	G1.1/2"	NP160 / L
6	951 800 611	G1/4"	NP630 / S
8	951 800 612	G1/4"	NP630 / S
10	951 800 613	G3/8"	NP630 / S
12	951 800 614	G3/8"	NP630 / S
12	951 800 622	G1/2"	NP630 / S
14	951 800 615	G1/2"	NP630 / S
16	951 800 616	G1/2"	NP400 / S
20	951 800 617	G3/4"	NP400 / S
25	951 800 618	G1"	NP400 / S
30	951 800 619	G1.1/4"	NP400 / S
38	951 800 620	G1.1/2"	NP315 / S

Female straight fitting with stud

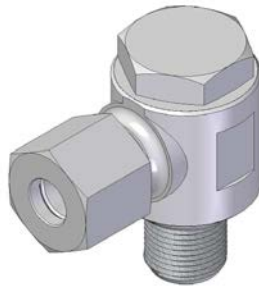
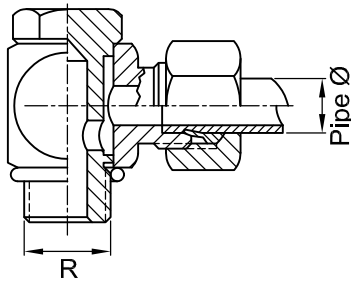


Pipe Ø	Reference	R
6	950 400 201	G1/8"
6	950 400 206	G1/4"
8	950 400 202	G1/8"
8	950 400 207	G1/4"
10	950 400 211	G1/4"
12	950 400 216	G1/4"
12	950 400 217	G3/8"
12	950 400 218	G1/2"
15	950 400 221	G1/4"
16	950 400 229	G1/4"
18	950 400 226	G1/4"
22	950 400 231	G1/4"
28	950 400 232	G1/4"

Pipe Ø	Reference	R
6	950 400 301	M10x1
8	950 400 302	M10x1

Swivelling elbow fitting

Cylindrical thread

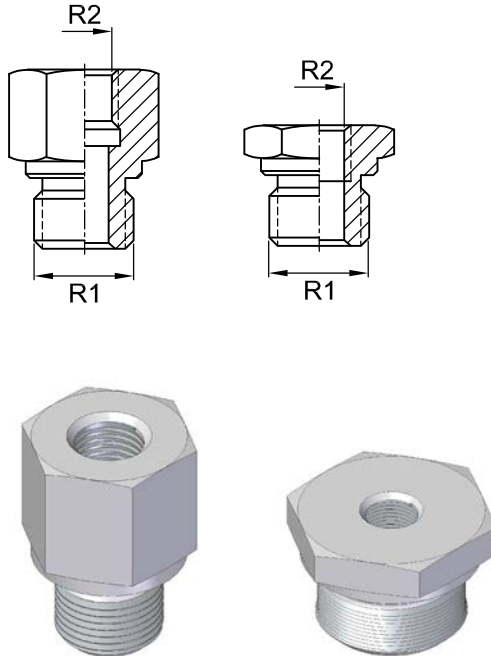


Pipe Ø	Reference	R	NP
4	951 700 001	G1/8"	NP100 / LL
6	951 700 002	G1/8"	NP100 / LL
8	951 700 018	G1/8"	NP100 / LL
6	951 700 003	G1/8"	NP315 / L
6	951 700 004	G1/4"	NP315 / L
8	951 700 005	G1/4"	NP315 / L
10	951 700 006	G1/4"	NP315 / L
12	951 700 007	G3/8"	NP315 / L
15	951 700 008	G1/2"	NP315 / L
18	951 700 009	G1/2"	NP315 / L
22	951 700 010	G3/4"	NP315 / L
28	951 700 019	G1"	NP160 / L
35	951 700 020	G1.1/4"	NP160 / L
42	951 700 021	G1.1/2"	NP160 / L
6	951 700 011	G1/4"	NP630 / S
8	951 700 012	G1/4"	NP630 / S
10	951 700 013	G3/8"	NP630 / S
12	951 700 014	G3/8"	NP630 / S
14	951 700 015	G1/2"	NP630 / S
16	951 700 016	G1/2"	NP400 / S
20	951 700 017	G3/4"	NP400 / S
25	951 700 022	G1"	NP400 / S
30	951 700 023	G1.1/4"	NP400 / S
38	951 700 024	G1.1/2"	NP315 / S

Pipe Ø	Reference	R	NP
4	951 701 001	M8x1	NP100 / LL
6	951 701 002	M10x1	NP100 / LL
8	951 701 003	M10x1	NP100 / LL
6	951 701 004	M10x1	NP315 / L
8	951 701 005	M12x1,5	NP315 / L
10	951 701 006	M14x1,5	NP315 / L
12	951 701 007	M16x1,5	NP315 / L
15	951 701 008	M18x1,5	NP315 / L
18	951 701 009	M22x1,5	NP315 / L
22	951 701 010	M26x1,5	NP160 / L
28	951 701 011	M33x2	NP160 / L
35	951 701 012	M42x2	NP160 / L
42	951 701 013	M48x2	NP160 / L
6	951 701 014	M12x1,5	NP630 / S
8	951 701 015	M14x1,5	NP630 / S
10	951 701 016	M16x1,5	NP630 / S
12	951 701 017	M18x1,5	NP630 / S
14	951 701 018	M20x1,5	NP630 / S
16	951 701 019	M22x1,5	NP400 / S
20	951 701 020	M27x2	NP400 / S
25	951 701 021	M33x2	NP400 / S
30	951 701 022	M42x2	NP400 / S
38	951 701 023	M48x2	NP315 / S

Male-female reducing fitting

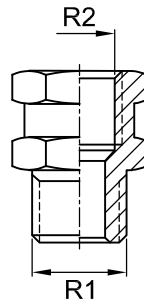
Cylindrical thread
 With washer



Reference	R1	R2
951 900 102	G1/8"	G1/4"
951 900 101	G1/8"	G3/8"
951 900 106	G1/4"	G1/8"
951 900 105	G1/4"	G3/8"
951 900 104	G1/4"	G1/2"
951 900 103	G1/4"	G3/4"
951 900 110	G3/8"	G1/8"
951 900 109	G3/8"	G1/4"
951 900 108	G3/8"	G1/2"
951 900 107	G3/8"	G3/4"
951 900 116	G1/2"	G1/8"
951 900 115	G1/2"	G1/4"
951 900 114	G1/2"	G3/8"
951 900 113	G1/2"	G3/4"
951 900 112	G1/2"	G1"
951 900 111	G1/2"	G1.1/4"
951 900 122	G3/4"	G1/4"
951 900 121	G3/4"	G3/8"
951 900 120	G3/4"	G1/2"
951 900 119	G3/4"	G1"
951 900 118	G3/4"	G1.1/4"
951 900 117	G3/4"	G1.1/2"
951 900 128	G1"	G1/4"
951 900 127	G1"	G3/8"
951 900 126	G1"	G1/2"
951 900 125	G1"	G3/4"
951 900 124	G1"	G1.1/4"
951 900 137	G1"	G1.1/2"
951 900 132	G1.1/4"	G1/2"
951 900 131	G1.1/4"	G3/4"
951 900 130	G1.1/4"	G1"
951 900 129	G1.1/4"	G1.1/2"
951 900 136	G1.1/2"	G1/2"
951 900 135	G1.1/2"	G3/4"
951 900 134	G1.1/2"	G1"
951 900 133	G1.1/2"	G1.1/4"

External reducing fitting

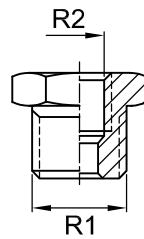
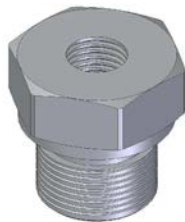
Cylindrical thread



Reference	R1	R2
951 901 001	G1/8"	G1/8"
951 901 002	G1/8"	G1/4"
951 901 003	G1/8"	G3/8"
951 901 004	G1/8"	G1/2"
951 901 005	G1/4"	G1/4"
951 901 006	G1/4"	G3/8"
951 901 007	G1/4"	G1/2"
951 901 008	G3/8"	G1/4"
951 901 009	G3/8"	G3/8"
951 901 010	G3/8"	G1/2"
951 901 011	G1/2"	G3/8"
951 901 012	G1/2"	G1/2"
951 901 013	G1/2"	G3/4"
951 901 014	G3/4"	G1/2"
951 901 015	G3/4"	G3/4"

Internal reducing fitting

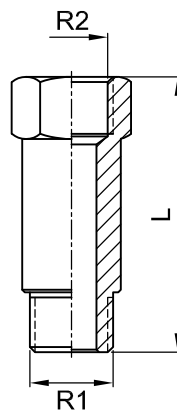
Cylindrical thread



Reference	R1	R2
951 902 001	G1/4"	G1/8"
951 902 002	G3/8"	G1/8"
951 902 003	G1/2"	G1/8"
951 902 004	G1/2"	G1/4"
951 902 005	G3/4"	G1/4"
951 902 006	G3/4"	G3/8"

Male-female lengthener

Cylindrical thread



Reference	R1	R2	L
952 001 001	G1/8"	G1/8"	23
952 001 002	G1/8"	G1/8"	43
952 001 003	G1/4"	G1/4"	30
952 001 004	G1/4"	G1/4"	45
952 001 005	G3/8"	G3/8"	52