

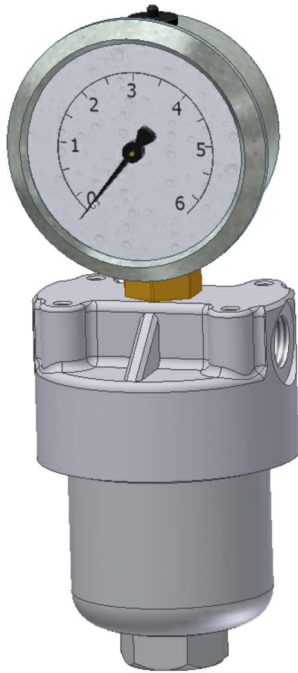
Oil pressure filter

Use in lubrication installations that are single line, recirculating systems or hydraulic installations.

Max. pressure: 75 bar
 Body material: aluminium

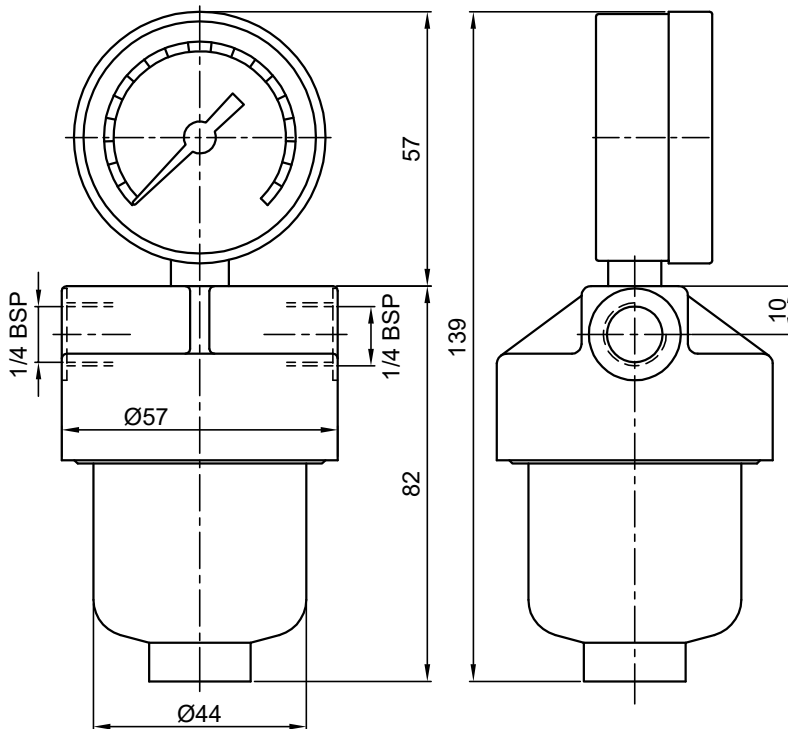
Nominal flow rate:

Microns	Flow rate
3 microns	0,25 l/min
10 microns	6 l/min
25 microns	17 l/min
40 microns	18 l/min
125 microns	25 l/min



HF01/F-1- X X

Pressure gauge	Filtration degree
0 Without	0 Without cartridge
1 0-6 bar	1 10 microns
2 0-10 bar	2 25 microns
3 0-16 bar	3 40 microns
4 0-40 bar	4 125 microns
	5 3 microns



Replacement cartridges

Reference	Microns
945.800.005	3 microns
945.800.004	10 microns
945.800.001	25 microns
945.800.002	40 microns
945.800.003	125 microns



Replacement pressure gauges

Reference	Pressure
943.800.401	0-6 bar (glycerine)
943.800.402	0-10 bar (glycerine)
943.800.403	0-16 bar (glycerine)
943.801.001	0-40 bar

Oil and grease pressure filter

Use in lubrication installations with oil or grease.

Available in two construction variants:

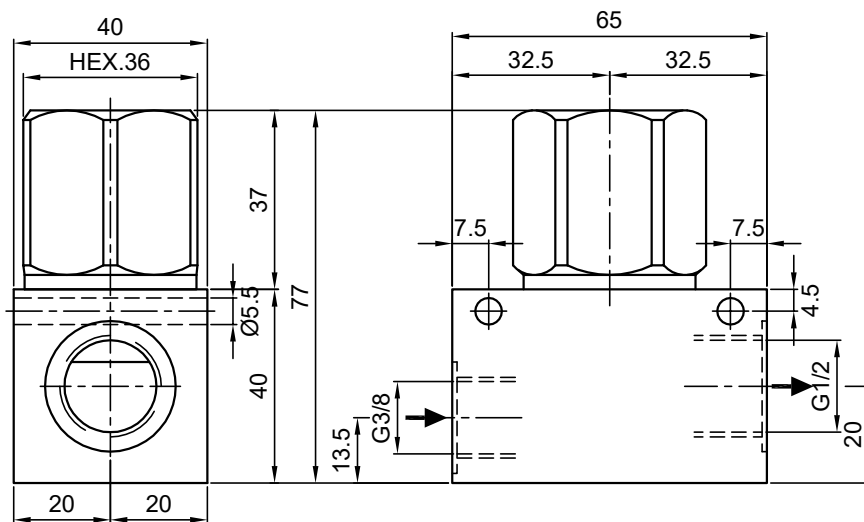
-With aluminium body and brass housing for use in installations where filter weigh is decisive (line suspended mounting etc). Maximum pressure is 75 bar.

-With body produced in steel with anti-corrosion protection and brass housing. Suitable for higher pressure up to 400 bar.



HF01/G- (X) / 00 (X)

Maximum pressure	Filtration degree
(2) up to 75 bar	(1) 25 microns
(3) up to 400 bar	(3) 60 microns
	(6) 300 microns



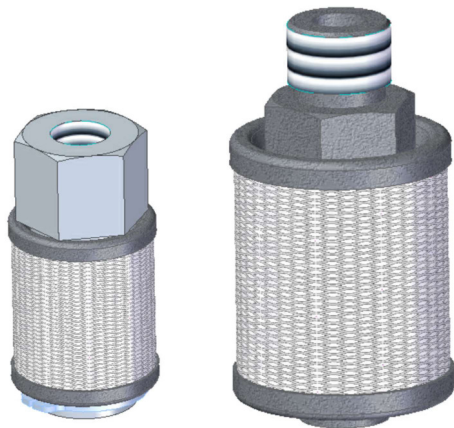
Replacement cartridges

Microns	Reference
25 microns	945.804.001
60 microns	945.804.003
300 microns	945.804.006



Oil suction filters with mesh

For use in lubrication installations with oil.



Reference	Model	R	ØD	A	B	Hex	Fig
HF01/B-1-011	F-11-M 1/4	1/8 BSP	27	36	15	17	1
HF01/C-1-011	F-11 1/8	1/8 BSP	27	36	15	17	2
HF01/C-1-012	F-11 1/4	1/4 BSP	27	36	15	17	2
HF01/C-1-021	F-12	1/4 BSP	42	40	15	2	2
HF01/C-1-031	F-13	1/2 BSP	42	80	20	27	2
HF01/C-1-041	F-14	1/2 BSP	42	125	20	27	2
HF01/D-1-011		1/8 BSP	27	36	15	17	3
HF01/D-1-021		1/4 BSP	42	40	15	22	3
HF01/E-1-021	FM-12	1/4 BSP	42	40	15	22	4
HF01/E-1-031	FM-13	3/8 BSP	42	50	20	27	4
HF01/E-1-041	FM-14	1/2 BSP	42	60	20	27	4

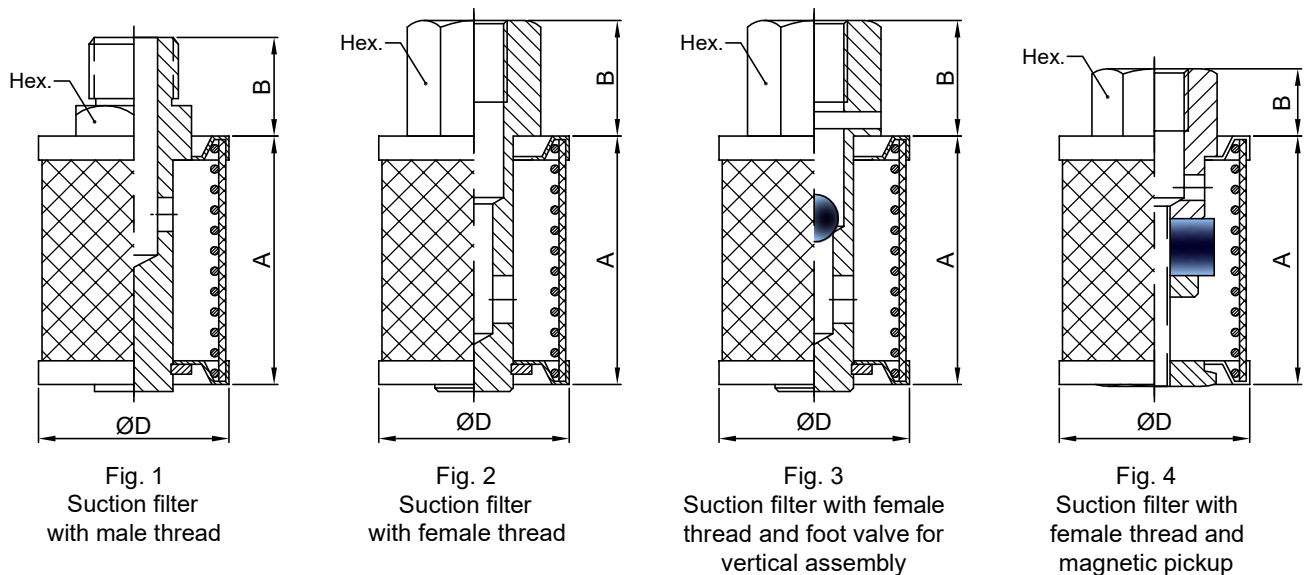


Fig. 1
Suction filter
with male thread

Fig. 2
Suction filter
with female thread

Fig. 3
Suction filter with female
thread and foot valve for
vertical assembly

Fig. 4
Suction filter with
female thread and
magnetic pickup

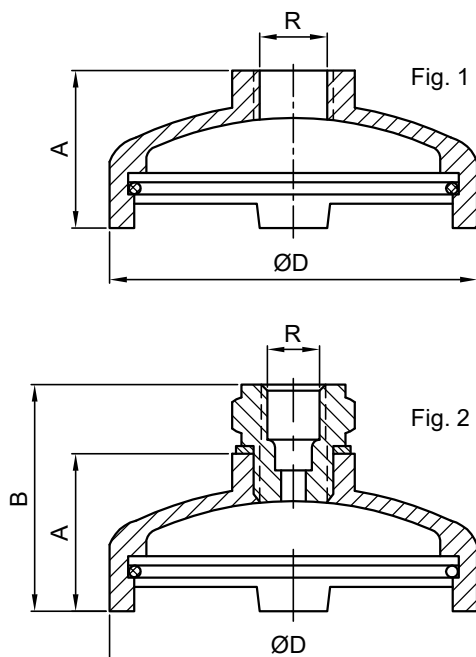


Fig. 1

Fig. 2

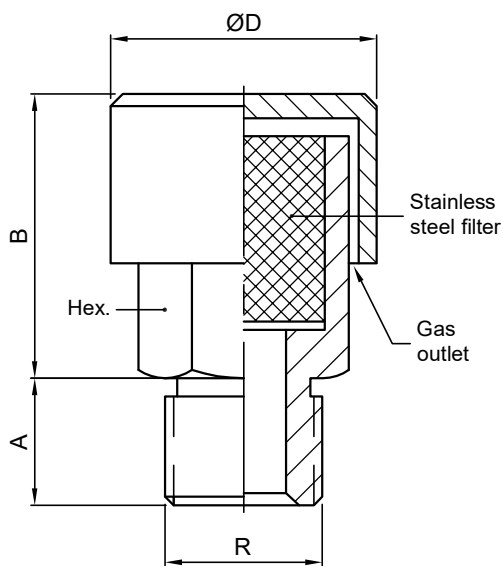
Mushroom shaped suction filters

For use in lubrication installations with oil.

-Body material: nylon

-Flow rate: up to 0.5 l/min

Reference	R	Ø tube	ØD	A	B	Fig
HF01/I-1-001	1/4 BSP	-	61	24	-	1
HF01/I-1-011	1/4 BSP	-	49	24	-	1
HF01/I-2-001	M10x1	6	61	24	35	2
HF01/I-2-002	M14x1.5	8	61	24	38	2
HF01/I-2-003	M16x1.5	10	61	24	48	2
HF01/I-2-004	M18x1.5	12	61	24	52	2
HF01/I-2-005	M12x1	8	61	24	38	2
HF01/I-3-002	M14x1.5	8	49	24	48	2
HF01/I-3-003	M16x1.5	10	49	24	52	2



Air filters

For use in all air tight compartments where it is necessary to dissipate gases and match pressures (gearboxes, sumps...).

-Body material: bichromate steel.

Reference	Model	R	ØD	A	B	Hex
HF01/H-1-001	FA-00	1/8 BSP	26	9	29	24
HF01/H-1-011	FA-0	1/4 BSP	26	9	29	24
HF01/H-1-021	FA-1	3/8 BSP	26	14	33	24
HF01/H-1-031	FA-2	1/2 BSP	26	14	33	24
HF01/H-1-041	FA-3	3/4 BSP	44	14	36	36
HF01/H-1-051	FA-4	1 BSP	44	14	36	36
HF01/H-1-061	FA-5	1.1/4 BSP	62	18	52	52
HF01/H-1-071	FA-6	1.1/2 BSP	62	18	52	52
HF01/H-1-081	FA-7	2 BSP	83	22	85	70